

FE 100 SG



Short description

FE 100 SG window installation kit with fixed external grille for the fan series ECA 100. Fan not included in scope of delivery.

Application examples

Restaurant, Showroom, Building container, Lecture room, Nursery school

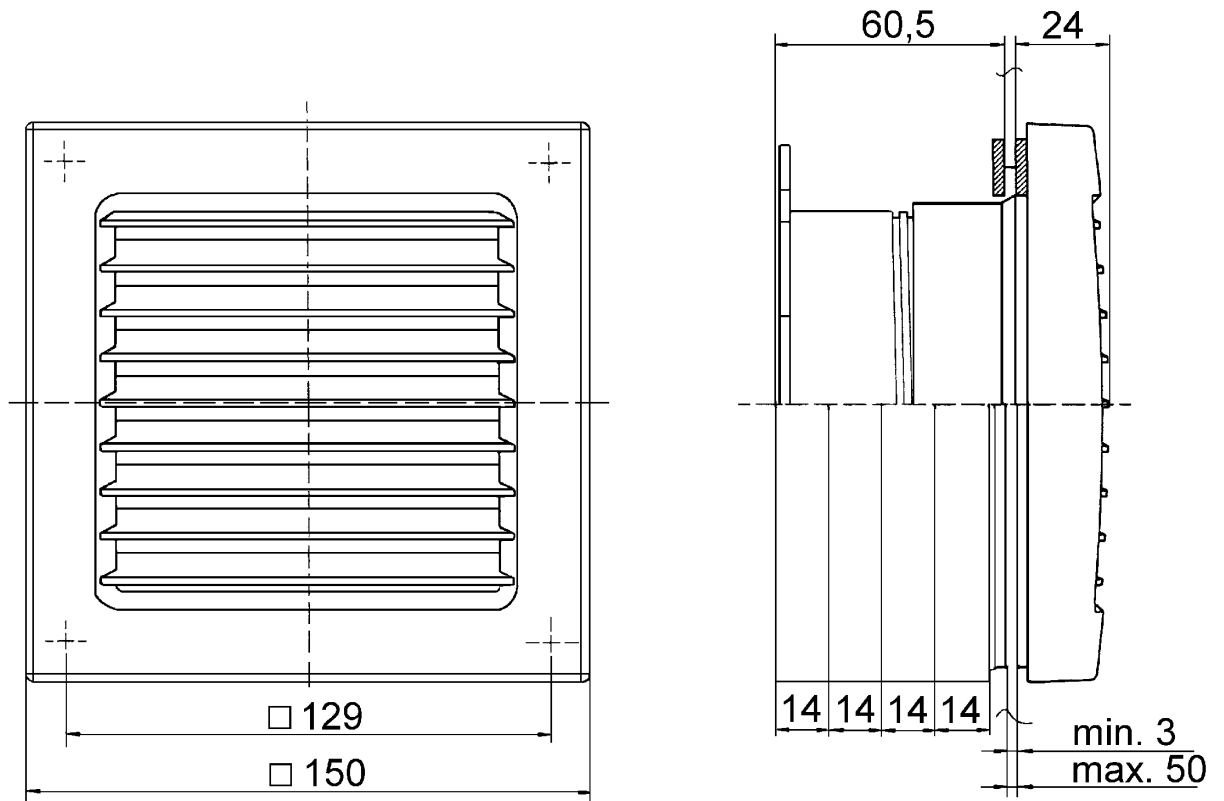
Article number 0093.1023

Technical data

Installation site	Window / Wall
Installation position	horizontal
Material	Synthetic material, shock-resistant
Colour	Traffic white, similar to RAL 9016
Weight	0,4 kg
Weight including packaging	0,47 kg
Width	150 mm
Height	150 mm
Depth	84 mm
Width with packaging	155 mm
Height with packaging	155 mm
Depth with packaging	125 mm
Packing unit	1 piece
Range	A
GTIN (EAN)	4012799990291

FE 100 SG

Dimensioned drawing [mm]



FE 100 SG