

FFS-V4



Short description

Plastic air distributor with 4 connection options for the flexible oval flat duct and a ventilation duct main connection (DN 125), including a removable service cover with adjustment options, width x height x depth: approx. 675 x 186 x 545 mm, scope of delivery: 3 volumetric flow adjustment elements, 1 black blind cover, 4 O-rings (valve gaskets), 1 horizontal DN 125 air distributor transition piece (FFS-VTHÜ), 1 vertical DN 125 air distributor transition piece (VTVÜ), 2 individual air distributor extensions (FFS-V), 3 gaskets for the distributor extensions, 4 individual duct fixing adapters (FFS-RA), 1 EPS mounting aid (polystyrene)

Article number 0055.0871

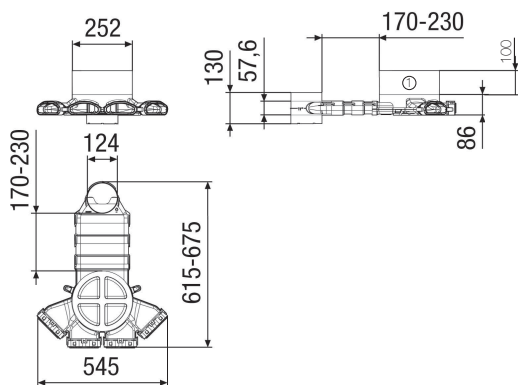
Application examples

Single-family house, Multiple family unit, Office, New build, Redevelopment

Technical data

Max. volumetric flow	160 m ³ /h
Weight	2,06 kg
Weight including packaging	2,25 kg
Width	675 mm
Height	186 mm
Depth	545 mm
Width with packaging	550 mm
Height with packaging	240 mm
Depth with packaging	360 mm
Packing unit	1 piece
Range	K
GTIN (EAN)	4012799558712

Dimensioned drawing [mm]



① Mounting aid