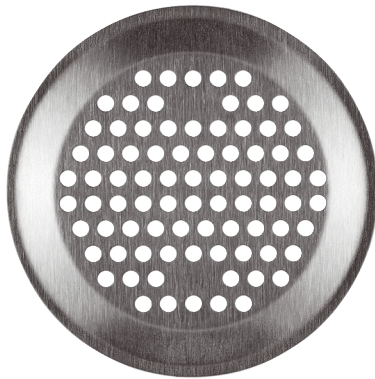


FFS-WGB



Short description

Designer wall/ceiling grille, suitable for the FFS-WA wall/ceiling outlet. The grille made of brushed stainless steel has a modern design with a circular pattern of holes. It is held in place with clamps, diameter: 150 mm, height: 38 mm, scope of delivery: 1 wall/ceiling grille, 1 regenerable filter

Application examples

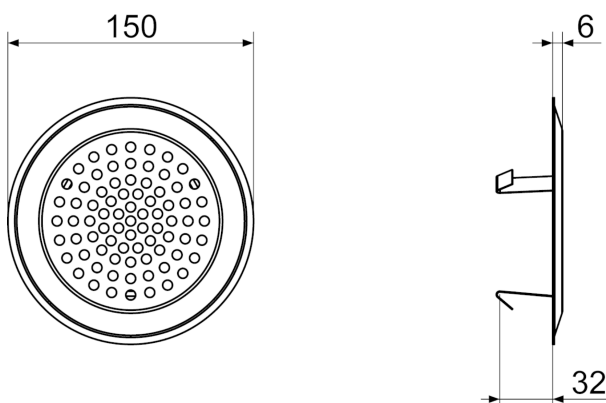
Single-family house, Multiple family unit, Office, New build, Redevelopment

Article number 0055.0893

Technical data

Model	Design with circular pattern of holes
Type of installation	Fastening with clamps
Material	Stainless steel, brushed
Weight	0,14 kg
Weight including packaging	0,18 kg
Diameter	150 mm
Width	150 mm
Height	150 mm
Depth	38 mm
Width with packaging	167 mm
Height with packaging	157 mm
Depth with packaging	47 mm
Packing unit	1 piece
Range	K
GTIN (EAN)	4012799558934

Dimensioned drawing [mm]



FFS-WGB

