

FFS-WG



Short description

Designer wall/ceiling grille, suitable for the FFS-WA wall/ ceiling outlet. The grille made of brushed stainless steel has a modern long-slot design. It is held in place with clamps, diameter: 150 mm, height: 40 mm, scope of delivery: 1 wall/ ceiling grille, 1 regenerable filter

Application examples

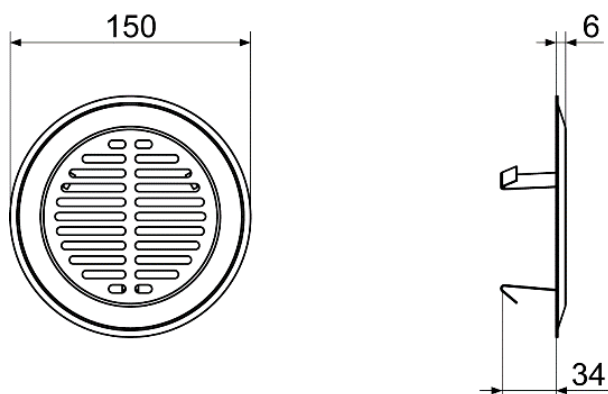
Single-family house, Multiple family unit, Office, New build, Redevelopment

Article number 0055.0892

Technical data

Model	Slot design
Type of installation	Fastening with clamps
Material	Stainless steel, brushed
Weight	0,13 kg
Weight including packaging	0,16 kg
Diameter	150 mm
Width	150 mm
Height	150 mm
Depth	40 mm
Width with packaging	167 mm
Height with packaging	155 mm
Depth with packaging	47 mm
Packing unit	1 piece
Range	K
GTIN (EAN)	4012799558927

Dimensioned drawing [mm]



FFS-WG

