

# FUM 22

## Short description

Mounting foot for the assembly of ERM fans on walls, ceilings or brackets, DN 224

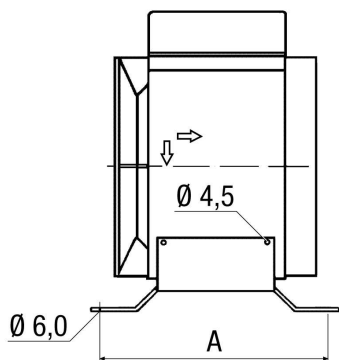


Article number 0036.0004

## Technical data

Installation site	Ceiling / Wall
Material	Sheet steel, galvanised
Weight	0,36 kg
Weight including packaging	0,4 kg
Suitable for nominal size	224 mm
Width	203 mm
Height	170 mm
Depth	170 mm
Width with packaging	203 mm
Height with packaging	170 mm
Depth with packaging	170 mm
Packing unit	1 piece
Range	C
GTIN (EAN)	4012799360049

## Dimensioned drawing [mm]



A  
203