

FUM 28



Short description

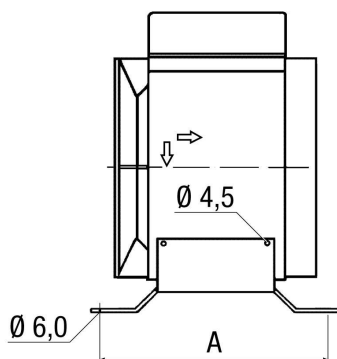
Mounting foot for the assembly of ERM fans on walls, ceilings or brackets, DN 280

Article number 0036.0006

Technical data

Installation site	Ceiling / Wall
Material	Sheet steel, galvanised
Weight	0,8 kg
Weight including packaging	0,8 kg
Suitable for nominal size	280 mm
Width with packaging	290 mm
Height with packaging	80 mm
Depth with packaging	220 mm
Packing unit	1 piece
Range	C
GTIN (EAN)	4012799360063

Dimensioned drawing [mm]



A
267