

FUR 10/12/16



Short description

Mounting foot for the assembly of ERR 10.., ERR 12.. and ERR 16/1 on walls, ceilings or brackets

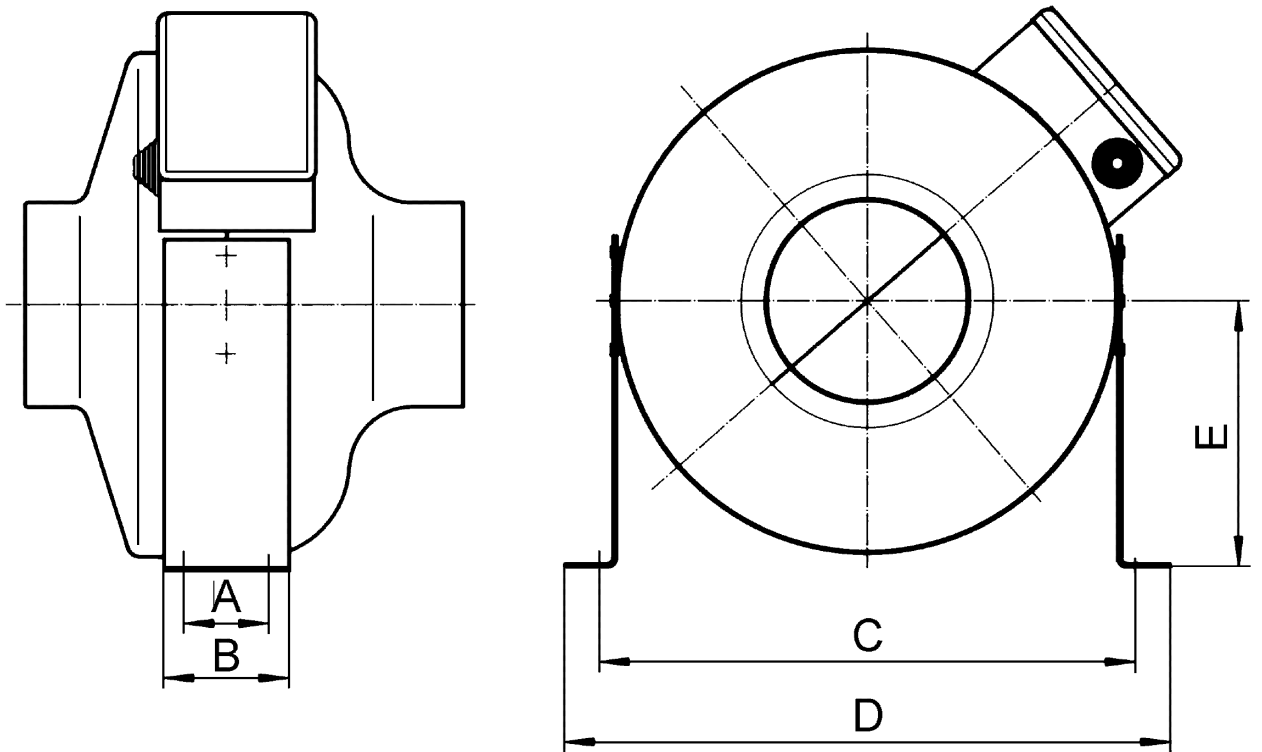
Article number 0036.0087

Technical data

Installation site	Wall / Ceiling
Material	Sheet steel, galvanised
Weight	0,21 kg
Weight including packaging	0,22 kg
Suitable for nominal size	100 mm / 125 mm / 160 mm
Width	293 mm
Height	65 mm
Depth	50 mm
Width with packaging	180 mm
Height with packaging	35 mm
Depth with packaging	70 mm
Packing unit	1 piece
Range	C
GTIN (EAN)	4012799360872

FUR 10/12/16

Dimensioned drawing [mm]



A	B	C	D	E
30	50	280	293	125