

FUR 16S/20/25



Short description

Mounting foot for the assembly of ERR 16 N, ERR 16/1 S, ERR 20.. and ERR 25/1 on walls, ceilings or brackets

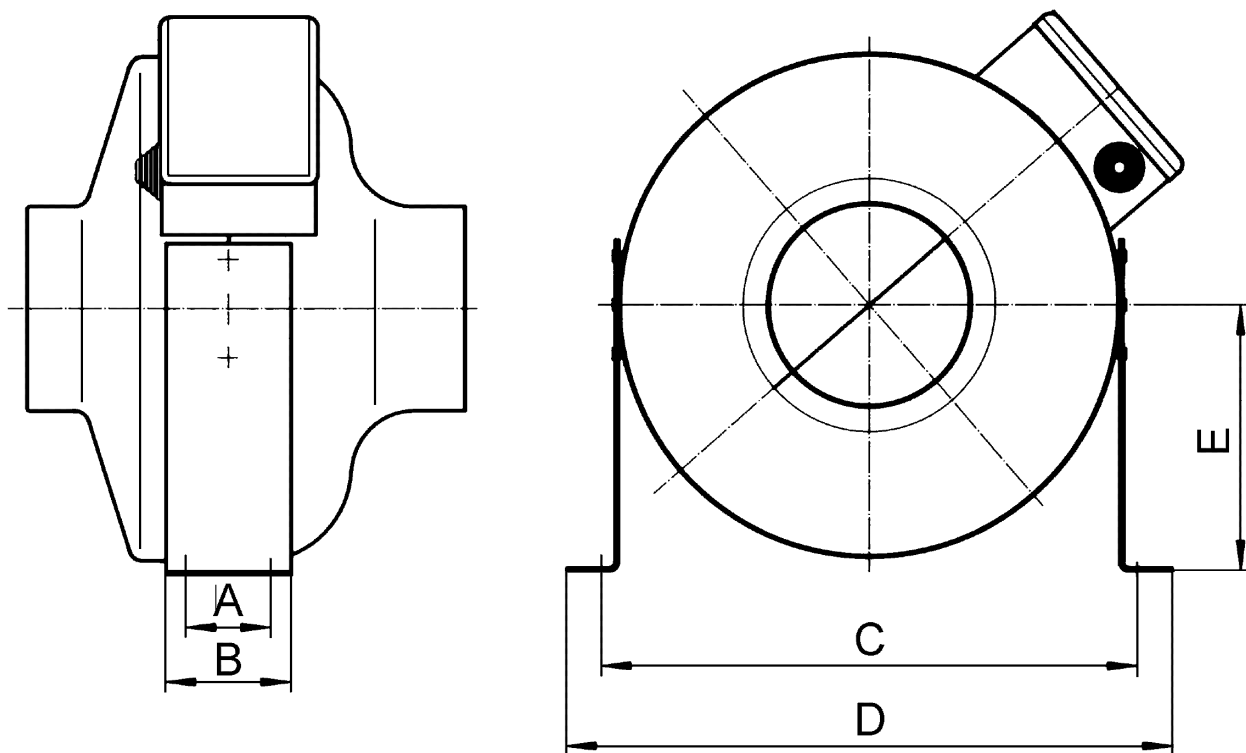
Article number 0036.0088

Technical data

Installation site	Wall / Ceiling
Material	Sheet steel, galvanised
Weight	0,47 kg
Weight including packaging	0,49 kg
Suitable for nominal size	160 mm / 200 mm / 250 mm
Width	395 mm
Height	83 mm
Depth	80 mm
Width with packaging	220 mm
Height with packaging	40 mm
Depth with packaging	90 mm
Packing unit	1 piece
Range	C
GTIN (EAN)	4012799360889

FUR 16S/20/25

Dimensioned drawing [mm]



A	B	C	D	E
56	80	372	395	185

Only with FUR 35/1: With horizontal mounting stay