

FUR 31/1



Short description

Mounting foot for the assembly of ERR 31.. on walls, ceilings or brackets

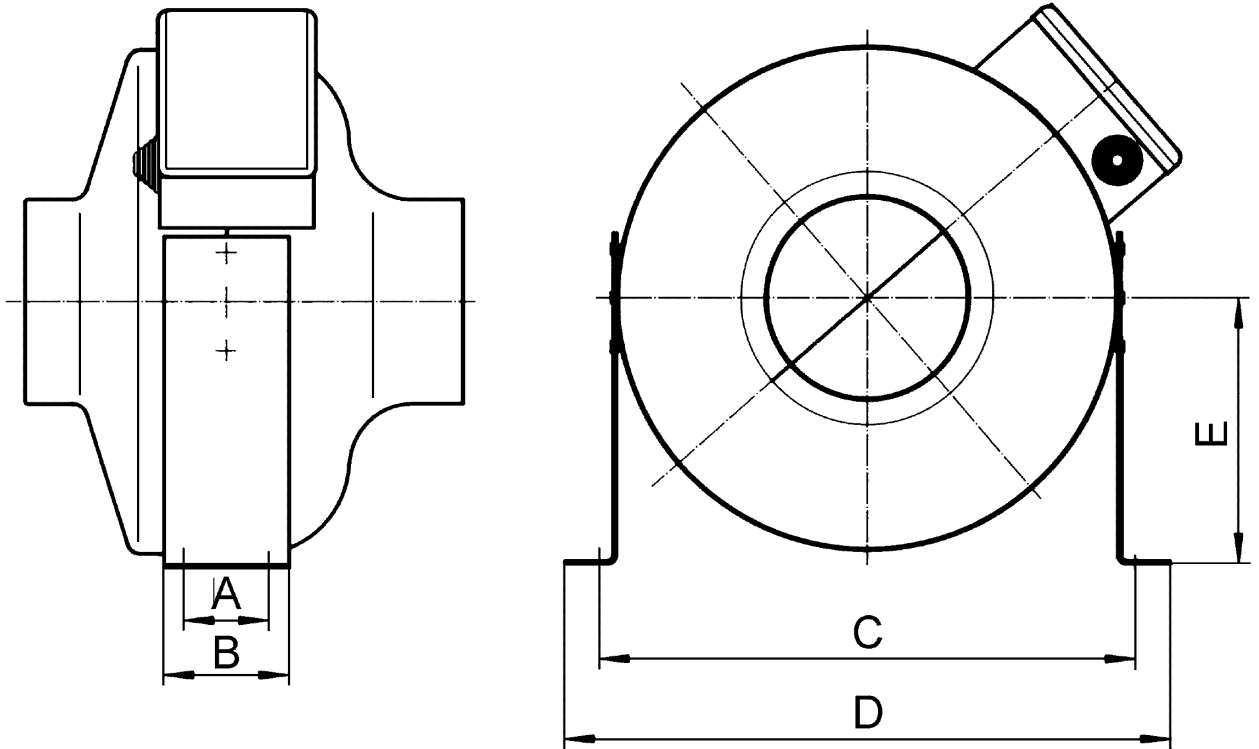
Article number 0036.0089

Technical data

Installation site	Wall / Ceiling
Material	Sheet steel, galvanised
Weight	0,75 kg
Weight including packaging	0,77 kg
Suitable for nominal size	315 mm
Width	465 mm
Height	130 mm
Depth	130 mm
Width with packaging	270 mm
Height with packaging	40 mm
Depth with packaging	140 mm
Packing unit	1 piece
Range	C
GTIN (EAN)	4012799360896

FUR 31/1

Dimensioned drawing [mm]



A	B	C	D	E
100	130	445	465	225

Only with FUR 35/1: With horizontal mounting stay