

# FUR 35/1



## Short description

Mounting foot for the assembly of ERR 35.. on walls, ceilings or brackets

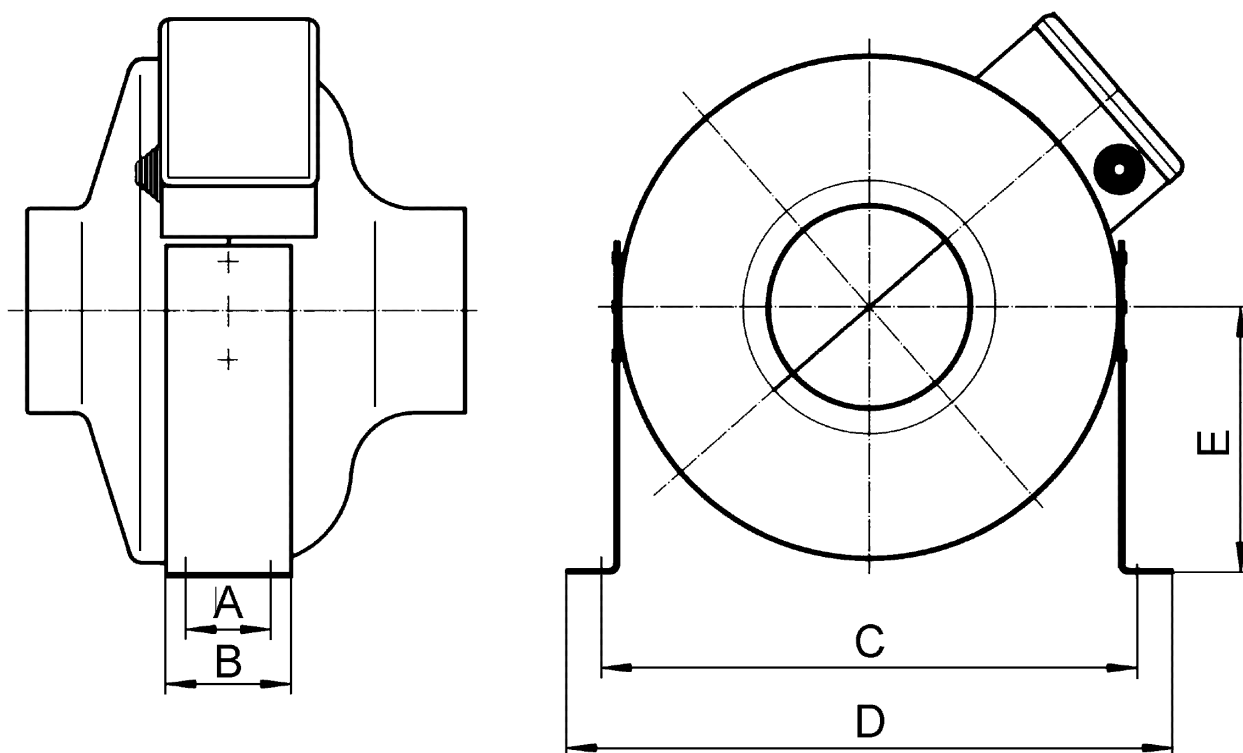
Article number 0036.0090

## Technical data

|                            |                         |
|----------------------------|-------------------------|
| Installation site          | Wall / Ceiling          |
| Material                   | Sheet steel, galvanised |
| Weight                     | 2,23 kg                 |
| Weight including packaging | 2,24 kg                 |
| Suitable for nominal size  | 350 mm                  |
| Width                      | 554 mm                  |
| Height                     | 150 mm                  |
| Depth                      | 150 mm                  |
| Width with packaging       | 500 mm                  |
| Height with packaging      | 40 mm                   |
| Depth with packaging       | 155 mm                  |
| Packing unit               | 1 piece                 |
| Range                      | C                       |
| GTIN (EAN)                 | 4012799360902           |

# FUR 35/1

Dimensioned drawing [mm]



| A   | B   | C   | D   | E   |
|-----|-----|-----|-----|-----|
| 100 | 150 | 533 | 554 | 265 |

Only with FUR 35/1: With horizontal mounting stay