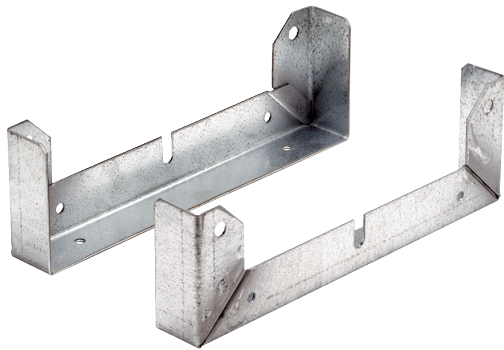


FU 20



Short description

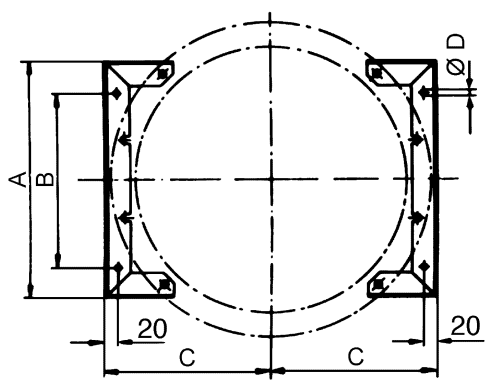
Mounting foot for the assembly of EZL/DZL and EZR/DZR fans on walls, ceilings or brackets, DN 200

Article number 0036.0069

Technical data

Material	Sheet steel, galvanised
Weight	0,47 kg
Weight including packaging	0,97 kg
Suitable for nominal size	200 mm
Width	243 mm
Height	103 mm
Depth	40 mm
Width with packaging	250 mm
Height with packaging	105 mm
Depth with packaging	45 mm
Packing unit	2 pieces
Range	C
GTIN (EAN)	4012799360698

Dimensioned drawing [mm]



A	B	C	D
243	150	152	7