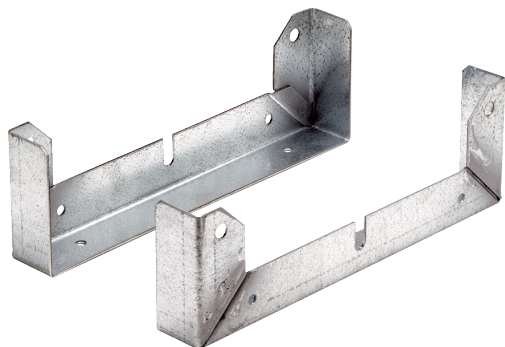


FU 25



Short description

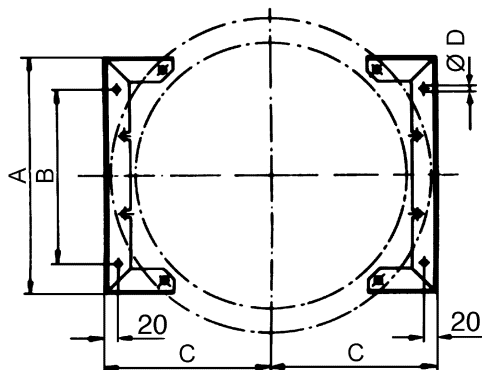
Mounting foot for the assembly of EZL/DZL and EZR/DZR fans on walls, ceilings or brackets, DN 250

Article number 0036.0070

Technical data

| | |
|----------------------------|-------------------------|
| Material | Sheet steel, galvanised |
| Weight | 0,55 kg |
| Weight including packaging | 1,1 kg |
| Suitable for nominal size | 250 mm |
| Width | 288 mm |
| Height | 115 mm |
| Depth | 40 mm |
| Width with packaging | 288 mm |
| Height with packaging | 115 mm |
| Depth with packaging | 40 mm |
| Packing unit | 2 pieces |
| Range | C |
| GTIN (EAN) | 4012799360704 |

Dimensioned drawing [mm]



| A | B | C | D |
|-----|-----|-----|---|
| 288 | 150 | 178 | 7 |