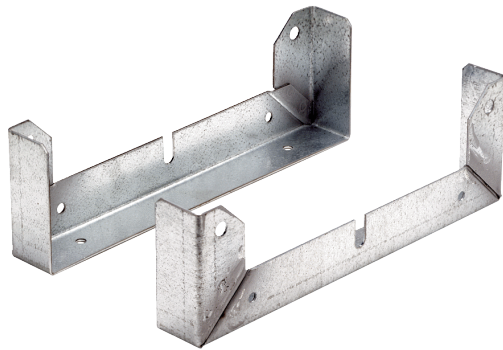


# FU 50



## Short description

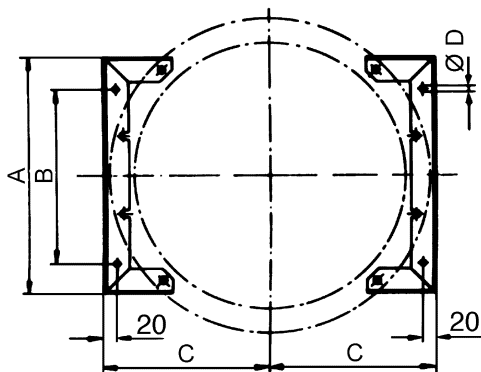
Mounting foot for the assembly of EZL/DZL and EZR/DZR fans on walls, ceilings or brackets, DN 500

Article number 0036.0075

## Technical data

Material	Sheet steel, galvanised
Weight	0,88 kg
Weight including packaging	1,83 kg
Suitable for nominal size	500 mm
Width	423 mm
Height	123 mm
Depth	40 mm
Width with packaging	423 mm
Height with packaging	123 mm
Depth with packaging	40 mm
Packing unit	2 pieces
Range	C
GTIN (EAN)	4012799360759

## Dimensioned drawing [mm]



A	B	C	D
423	315	299	11