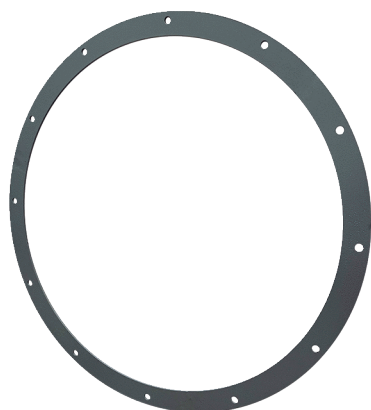


GFI 71



Short description

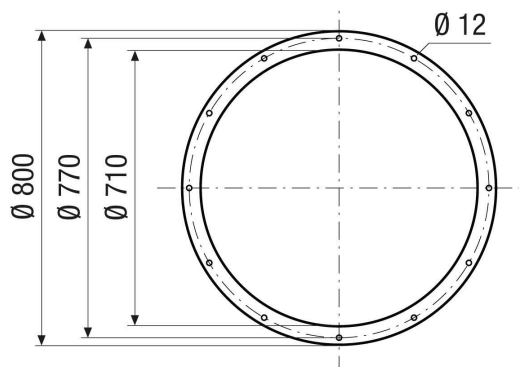
Counter flange for the assembly of fans on ducts, DN 710

Article number 0073.0260

Technical data

Material	Sheet steel
Colour	grey
Weight	3,3 kg
Weight including packaging	3,3 kg
Nominal size	710 mm
Suitable for nominal size	710 mm
Width	800 mm
Height	800 mm
Depth	5 mm
Width with packaging	800 mm
Height with packaging	800 mm
Depth with packaging	5 mm
Packing unit	1 piece
Range	C
GTIN (EAN)	4012799732600

Dimensioned drawing [mm]



GFI 71

