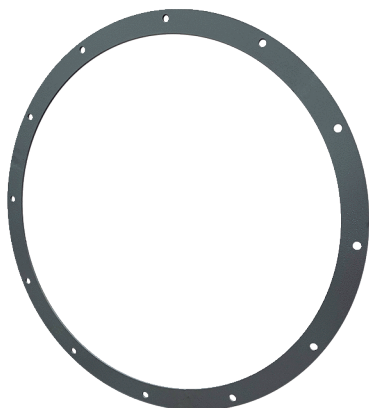


# GFI 80



## Short description

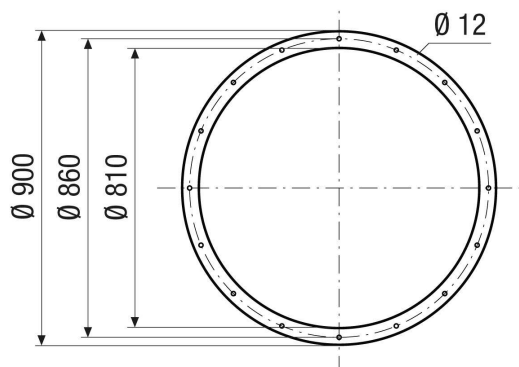
Counter flange for the assembly of fans on ducts, DN 800

Article number 0073.0261

## Technical data

Material	Sheet steel
Colour	grey
Weight	3,7 kg
Weight including packaging	3,7 kg
Nominal size	800 mm
Suitable for nominal size	800 mm
Width	900 mm
Height	900 mm
Depth	5 mm
Width with packaging	900 mm
Height with packaging	900 mm
Depth with packaging	5 mm
Packing unit	1 piece
Range	C
GTIN (EAN)	4012799732617

## Dimensioned drawing [mm]



GFI 80

