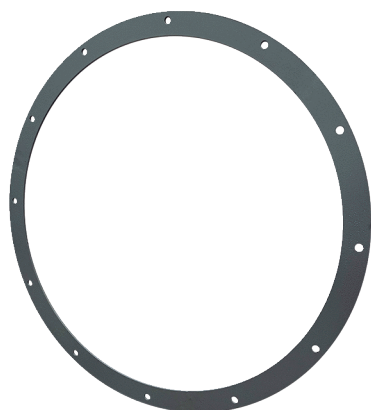


GFI 90



Short description

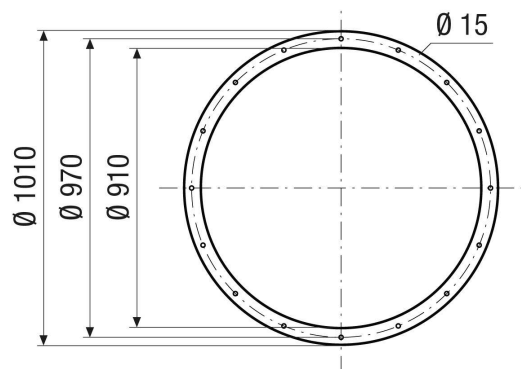
Counter flange for the assembly of fans on ducts, DN 900

Article number 0073.0262

Technical data

Material	Sheet steel
Colour	grey
Weight	4,7 kg
Weight including packaging	4,7 kg
Nominal size	900 mm
Suitable for nominal size	900 mm
Width	1.010 mm
Height	1.010 mm
Depth	5 mm
Width with packaging	1.010 mm
Height with packaging	1.010 mm
Depth with packaging	5 mm
Packing unit	1 piece
Range	C
GTIN (EAN)	4012799732624

Dimensioned drawing [mm]



GFI 90

