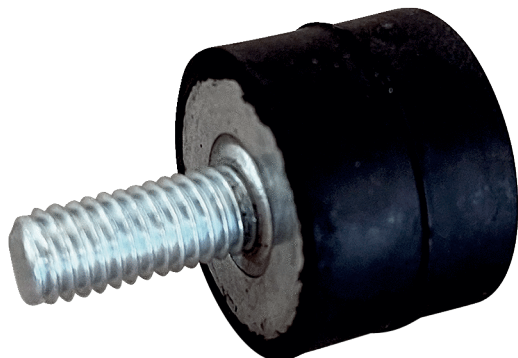


# GPI 221-400



## Short description

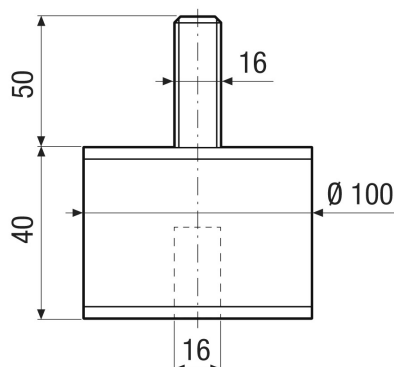
4 vibration dampers for the vibration-damped mounting of DAR/DAR Ex, load capacity 221 - 400 kg

Article number 0073.0278

## Technical data

Material	Steel/plastic
Colour	Black
Weight	0,85 kg
Weight including packaging	0,85 kg
Maximum working load	400 kg
Minimum working load	221 kg
Width	100 mm
Height	40 mm
Depth	100 mm
Width with packaging	100 mm
Height with packaging	40 mm
Depth with packaging	100 mm
Packing unit	1 piece
Range	C
GTIN (EAN)	4012799732785

## Dimensioned drawing [mm]



# GPI 221-400

