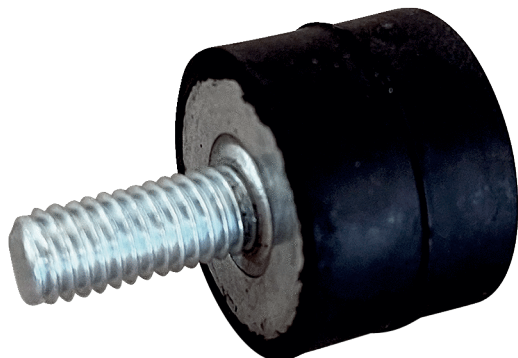


GPI 66-130



Short description

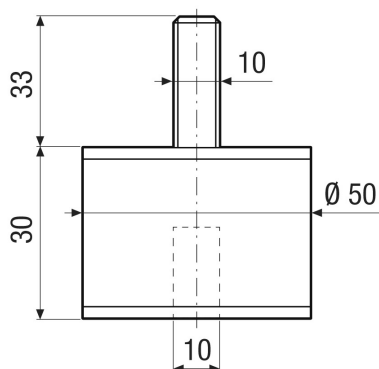
4 vibration dampers for the vibration-damped mounting of DAR/DAR Ex, load capacity 66 - 130 kg

Article number 0073.0276

Technical data

Material	Steel/plastic
Colour	Black
Weight	0,14 kg
Weight including packaging	0,14 kg
Maximum working load	130 kg
Minimum working load	66 kg
Width	50 mm
Height	30 mm
Depth	50 mm
Width with packaging	50 mm
Height with packaging	30 mm
Depth with packaging	50 mm
Packing unit	1 piece
Range	C
GTIN (EAN)	4012799732761

Dimensioned drawing [mm]



GPI 66-130

