

GRD 22



Short description

Centrifugal roof fan with EC motor with integrated control for constant pressure or constant volumetric flow, DN 224

Application examples

Central air extraction from multiple family living units in combination with Centro exhaust air elements.

Article number 0087.0016

Technical data

Air flow volume	1.970 m ³ /h
Air volume _{nom}	950 m ³ /h (in opt. efficiency)
Pressure p _{fs, nom}	370 Pa (in opt. efficiency)
Rotating speed n _{nom}	1.810 1/min (in opt. efficiency)
Rotating speed	1.883 1/min
Impeller type	radial
Speed controllable	✓
Reversing capacity	–
Rated voltage	230 V
Frequency	50 Hz
Nominal output	280 W (in opt. efficiency)
I _{nom}	1,7 A (in opt. efficiency)
I _{max}	1,9 A
Degree of protection	IP 45
Insulation class	B
Mains cable	3 x 1,5 mm ²
Installation site	Roof
Installation position	vertical
Material	Sheet steel, galvanised
Weight	27,31 kg
Weight including packaging	30,08 kg
Shutter	integrated
Type of shutter	Airstream-operated opening/closing
Nominal size	224 mm
Width	554 mm
Height	554 mm
Depth	437 mm
Width with packaging	585 mm
Height with packaging	585 mm

GRD 22

Depth with packaging	470 mm
Airstream temperature at nominal current	-20 °C up to 50 °C
Airstream temperature at I _{Max}	-20 °C up to 50 °C
Packing unit	1 piece
Range	C
GTIN (EAN)	4012799870166

Technical data according to ErP in Best Efficiency Point (BEP)

Total efficiency η	46,7 %
Measurement category	C
Efficiency category	static
Efficiency level N	62,4
VSD necessary	integrated VSD
Year of manufacture	see rating plate
Manufacturer's name / official registration number / manufacturer's place of establishment	Maico Elektroapparate-Fabrik GmbH / Freiburg registration court, HRB 601233
Art. No.	0087.0016
P _{BEP} / Air volume _{BEP} / P _{fs, BEP}	0,32 kW / 1.370 m ³ /h / 350 Pa
n_{BEP}	1.790 1/min
Specific ratio	≈ 1
Information about dismantling and disposal	see mounting instructions
Information about installation, operation and repairs	see mounting instructions
Objects used to measure efficiency which are not described by the measurement category	Calculation of energy efficiency without housing.
Sound power level L _{WA5}	75 dB(A)

Sound power level in octave range

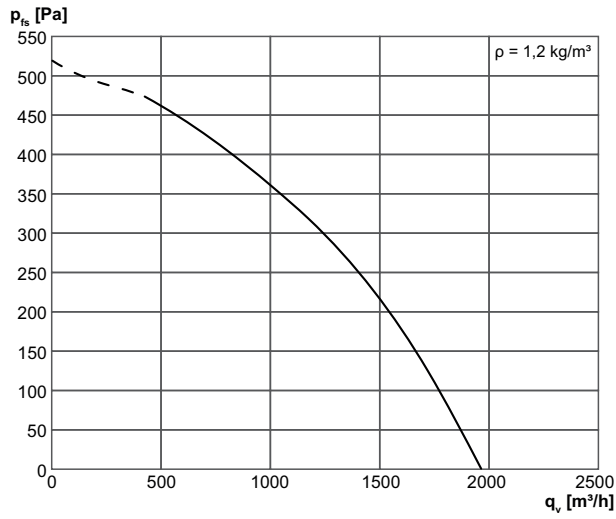
	63 Hz	125 Hz	250 Hz	500 Hz	1 kHz	2 kHz	4 kHz	8 kHz	Total
L _{WA5, high} (dB(A))	40	57	70	65	67	66	65	52	74
L _{WA8, high} (dB(A))	41	59	67	70	71	68	64	53	76

L_{WA5}= free inlet sound power level in dB.

L_{WA8}= housing and free outlet sound power level in dB.

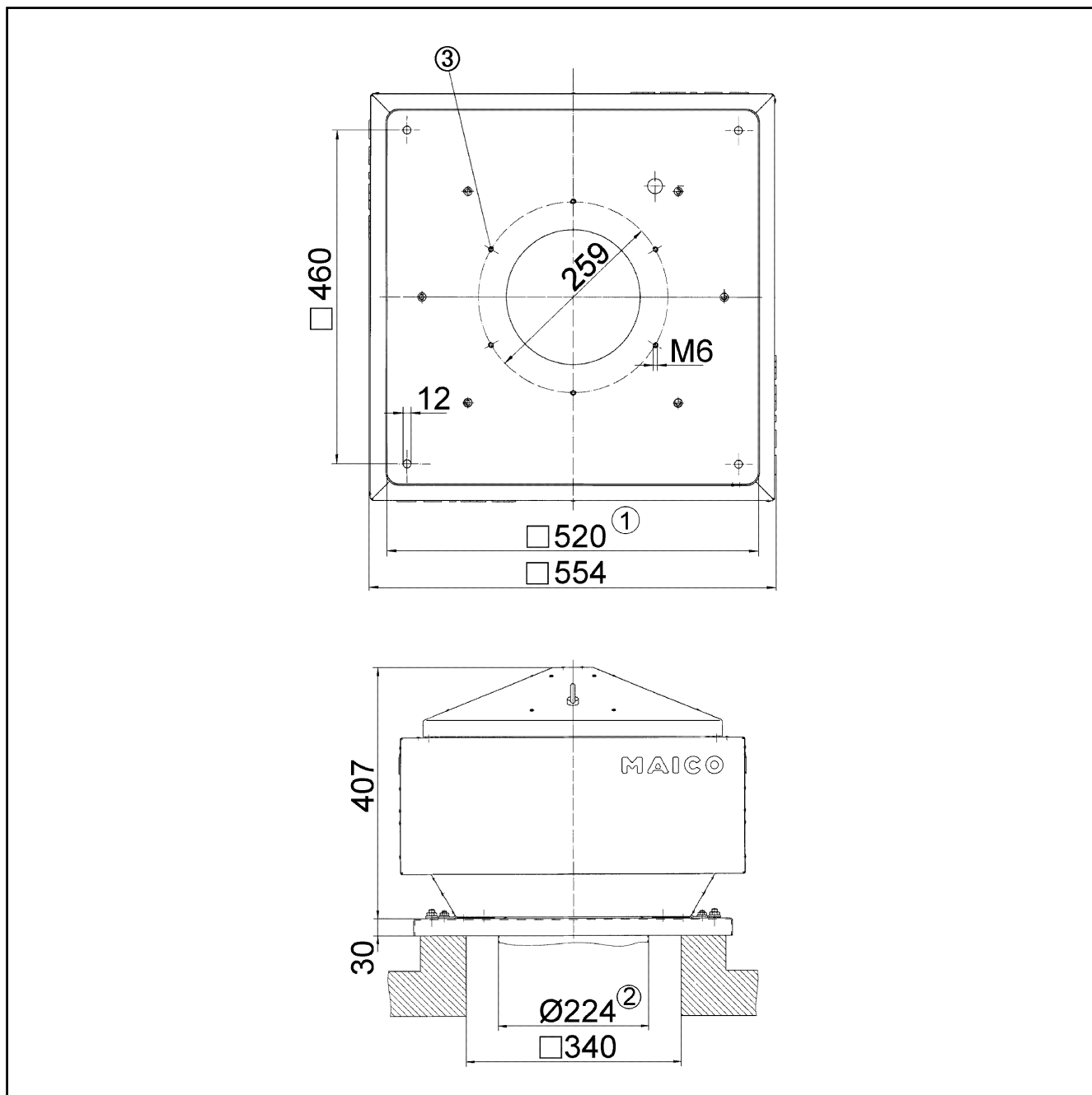
GRD 22

Characteristic curve



GRD 22

Dimensioned drawing [mm]



- ① Clear width
- ② External duct diameter
- ③ Number of holes: 3