

# GRK 16/4 E



## Short description

Centrifugal blower made of plastic with rectangular exhaust opening, size 160, single-phase AC

## Application examples

Industrial applications

Article number 0073.0303

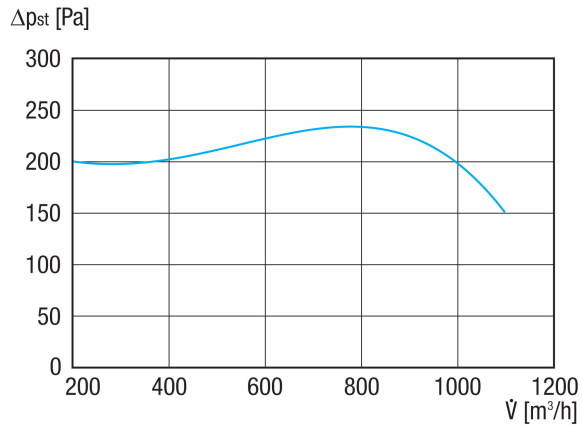
## Technical data

Air flow volume	1.100 m <sup>3</sup> /h
Rotating speed	1.460 1/min
Impeller type	radial
Speed controllable	–
Reversing capacity	–
Type of voltage	Alternating current
Rated voltage	230 V
Frequency	50 Hz
Nominal output	180 W
I <sub>nom</sub>	1,7 A
Degree of protection	IP 55
Insulation class	F
Pole-changeable	–
Installation site	Duct connection
Installation position	Horizontal
Housing material	Plastic, polypropylene
Impeller material	Plastic, polypropylene
Colour	White
Weight	8 kg
Weight including packaging	9 kg
Size	160 mm
Width	349 mm
Height	400 mm
Depth	435 mm
Width with packaging	480 mm
Height with packaging	440 mm
Depth with packaging	520 mm
Airstream temperature at I <sub>Max</sub>	50 °C
PTC DIN 44082	M 100

# GRK 16/4 E

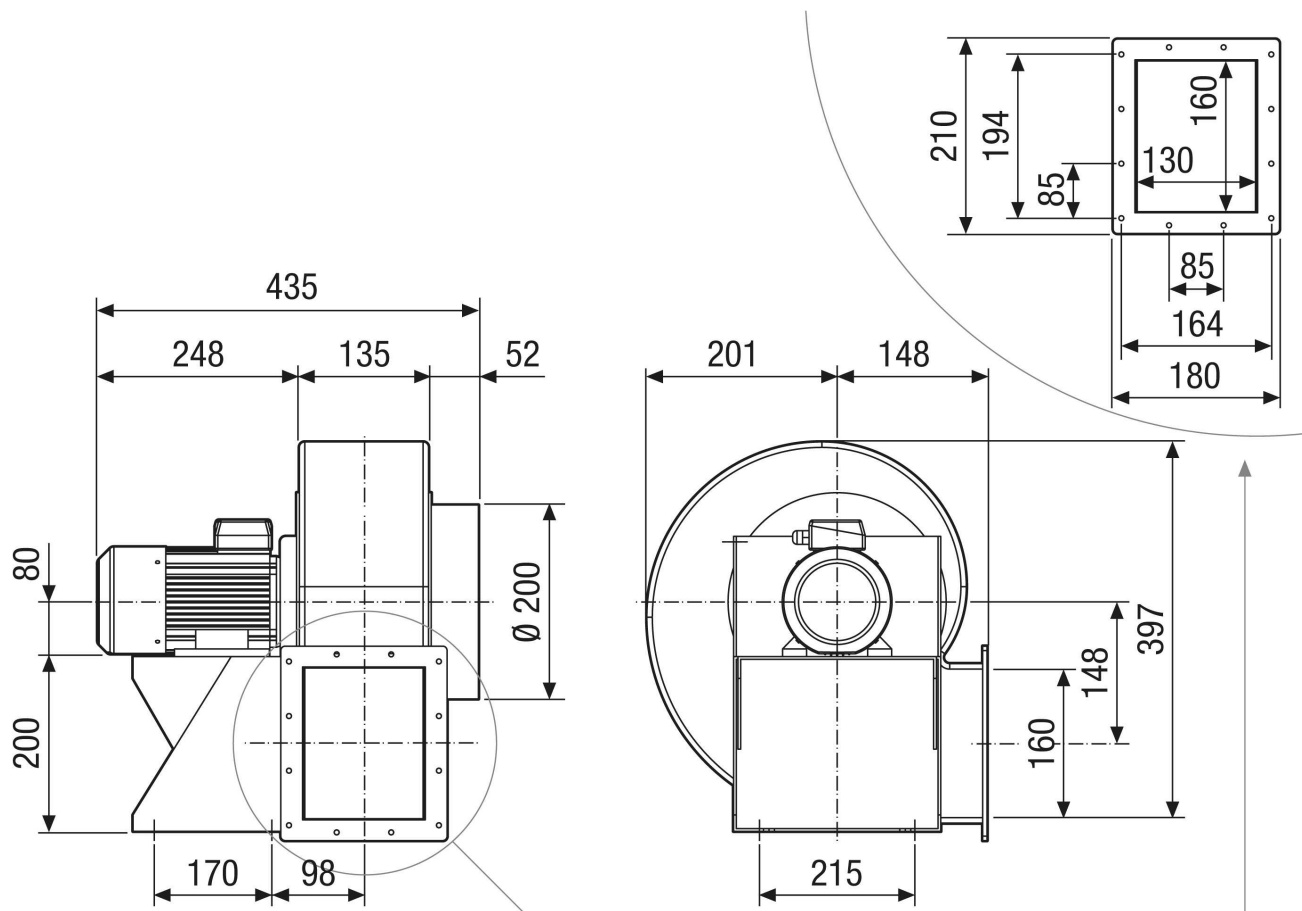
Sound pressure level	57 dB
Packing unit	1 piece
Range	C
GTIN (EAN)	4012799733034

## Characteristic curve



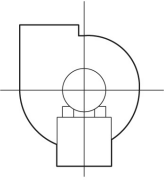
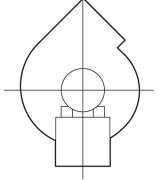
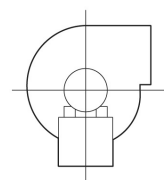
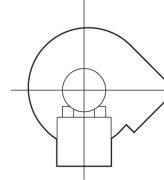
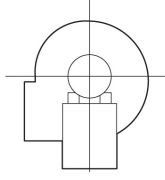
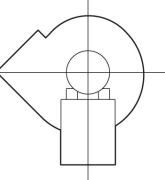
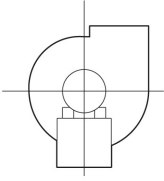
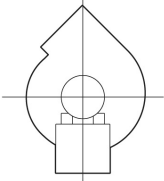
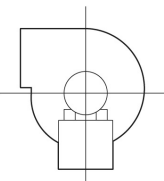
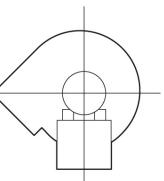
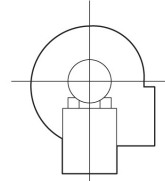
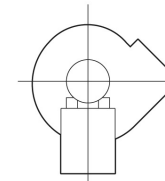
# GRK 16/4 E

Dimensioned drawing [mm]



# GRK 16/4 E

Dimensioned drawing Housing orientation [mm]

①						
	0°	45°	90°	135°	270°	315°
②						

① RD Right-hand version

② LG Left-hand version

The GRK 12/2 E and GRK 12/4 D variants are not available in right-hand version RD!

The standard orientation is always LG 270°