

GRK 25/4 D



Short description

Centrifugal blower made of plastic with rectangular exhaust opening, size 250, three-phase AC

Application examples

Industrial applications

Article number 0073.0308

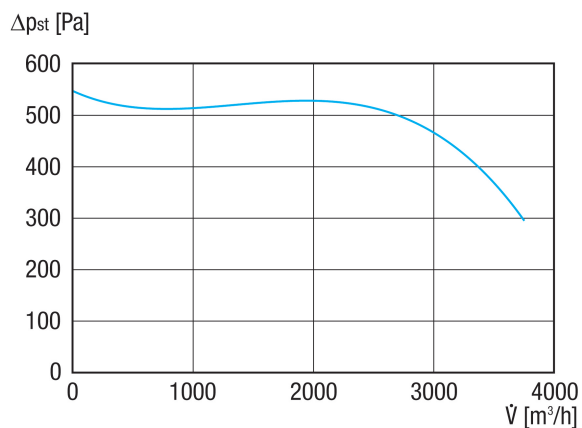
Technical data

Air flow volume	3.750 m ³ /h
Rotating speed	2.900 1/min
Impeller type	radial
Speed controllable	✓
Reversing capacity	–
Type of voltage	Three-phase AC
Rated voltage	400 V
Frequency	50 Hz
Nominal output	1.100 W
I _{nom}	3,2 A
Degree of protection	IP 55
Insulation class	F
Pole-changeable	–
Installation site	Duct connection
Installation position	Horizontal
Housing material	Plastic, polypropylene
Impeller material	Plastic, polypropylene
Colour	White
Weight	29 kg
Weight including packaging	32 kg
Width	513 mm
Height	590 mm
Depth	568 mm
Width with packaging	600 mm
Height with packaging	700 mm
Depth with packaging	700 mm
Airstream temperature at I _{Max}	50 °C
PTC DIN 44082	M 100
Sound pressure level	65 dB

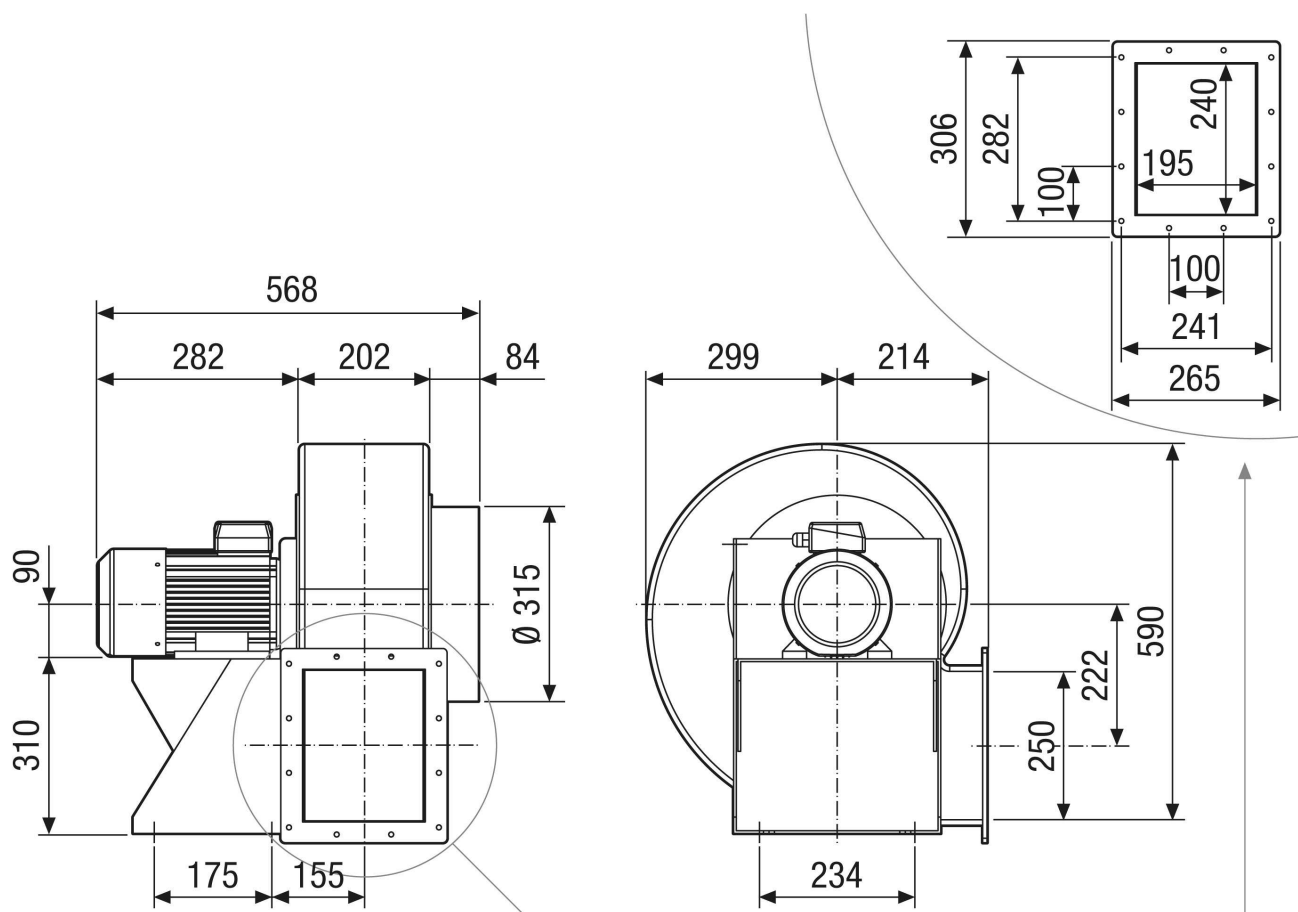
GRK 25/4 D

Packing unit	1 piece
Range	C
GTIN (EAN)	4012799733089

Characteristic curve

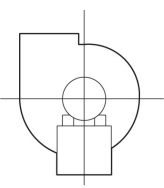
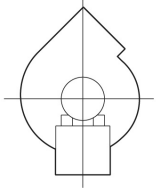
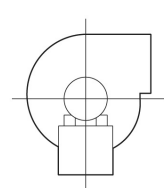
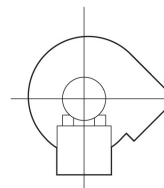
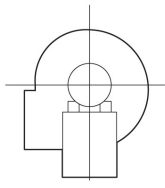
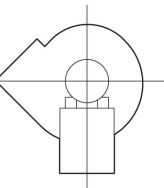
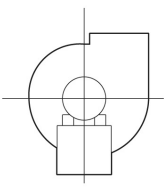
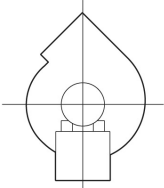
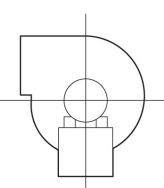
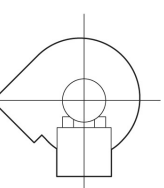
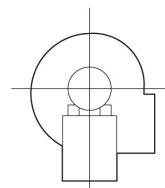
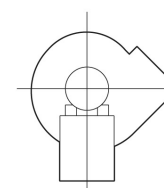


Dimensioned drawing [mm]



GRK 25/4 D

Dimensioned drawing Housing orientation [mm]

①						
	0°	45°	90°	135°	270°	315°
②						

- ① Right-hand version
- ② Left-hand version