

GRK R 28/4 E



Short description

Centrifugal blower made of plastic with round exhaust opening, size 280, single-phase AC, 4-pin

Application examples

Industrial applications

Article number 0073.0508

Technical data

| | |
|---|-------------------------|
| Air flow volume | 1.600 m ³ /h |
| Rotating speed | 1.440 1/min |
| Impeller type | radial |
| Speed controllable | – |
| Reversing capacity | – |
| Type of voltage | Alternating current |
| Rated voltage | 230 V |
| Frequency | 50 Hz |
| Nominal output | 180 W |
| I _{nom} | 1,6 A |
| Degree of protection | IP 55 |
| Insulation class | F |
| Pole-changeable | – |
| Installation site | Duct connection |
| Installation position | Horizontal |
| Housing material | Plastic, polyethylene |
| Impeller material | Plastic, polyethylene |
| Colour | Light grey |
| Weight | 33 kg |
| Weight including packaging | 56 kg |
| Width | 470 mm |
| Height | 560 mm |
| Depth | 515 mm |
| Width with packaging | 1.200 mm |
| Height with packaging | 800 mm |
| Depth with packaging | 710 mm |
| Airstream temperature at I _{Max} | -15 °C up to 70 °C |
| PTC DIN 44082 | M 100 |
| Packing unit | 1 piece |

GRK R 28/4 E

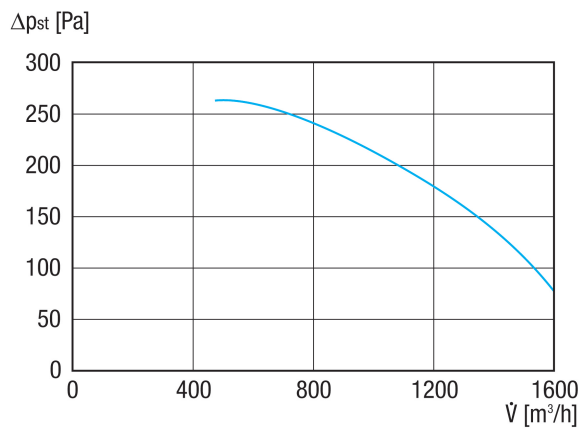
| | |
|------------|---------------|
| Range | C |
| GTIN (EAN) | 4012799735083 |

Sound power level in octave range

| | 63 Hz | 125 Hz | 250 Hz | 500 Hz | 1 kHz | 2 kHz | 4 kHz | 8 kHz | Total |
|--|-------|--------|--------|--------|-------|-------|-------|-------|-------|
| L_{WA5, S5} (dB(A)) | 46,8 | 58,9 | 67,4 | 67,8 | 70 | 66,2 | 58 | 47,9 | 74 |

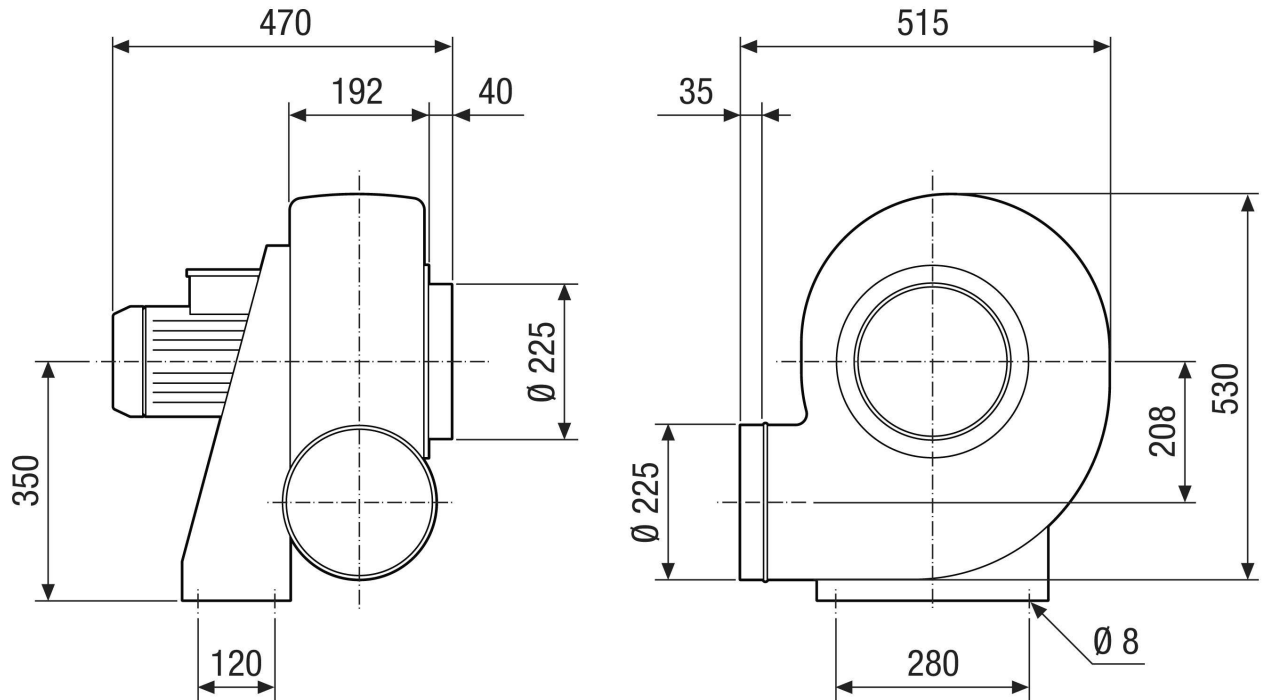
L_{WA5}= free inlet sound power level in dB.

Characteristic curve



GRK R 28/4 E

Dimensioned drawing [mm]



GRK R 28/4 E

Dimensioned drawing Housing orientation [mm]

| | | | | | | |
|---|--|--|--|---|--|--|
| ① |  |  |  |  |  |  |
| | 0° | 45° | 90° | 135° | 270° | 315° |
| ② |  |  |  |  |  |  |

- ① Right-hand version
- ② Left-hand version