

GRK R 35/4 E



Short description

Centrifugal blower made of plastic with round exhaust opening, size 350, single-phase AC, 4-pin

Application examples

Industrial applications

Article number 0073.0511

Technical data

| | |
|---|-------------------------|
| Air flow volume | 3.400 m ³ /h |
| Rotating speed | 1.440 1/min |
| Impeller type | radial |
| Speed controllable | – |
| Reversing capacity | – |
| Type of voltage | Alternating current |
| Rated voltage | 230 V |
| Frequency | 50 Hz |
| Nominal output | 370 W |
| I _{nom} | 2,7 A |
| Degree of protection | IP 55 |
| Insulation class | F |
| Pole-changeable | – |
| Installation site | Duct connection |
| Installation position | Horizontal |
| Housing material | Plastic, polyethylene |
| Impeller material | Plastic, polyethylene |
| Colour | Light grey |
| Weight | 51 kg |
| Weight including packaging | 70 kg |
| Size | 350 mm |
| Width | 565 mm |
| Height | 710 mm |
| Depth | 600 mm |
| Width with packaging | 1.200 mm |
| Height with packaging | 800 mm |
| Depth with packaging | 870 mm |
| Airstream temperature at I _{Max} | -15 °C up to 70 °C |
| PTC DIN 44082 | M 100 |

GRK R 35/4 E

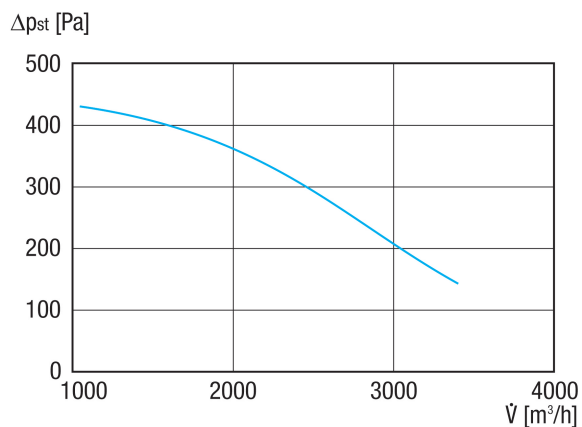
| | |
|--------------|---------------|
| Packing unit | 1 piece |
| Range | C |
| GTIN (EAN) | 4012799735113 |

Sound power level in octave range

| | 63 Hz | 125 Hz | 250 Hz | 500 Hz | 1 kHz | 2 kHz | 4 kHz | 8 kHz | Total |
|--|-------|--------|--------|--------|-------|-------|-------|-------|-------|
| L_{WA5, S5} (dB(A)) | 51 | 63,1 | 71,6 | 72 | 74,2 | 70,4 | 62,2 | 52,1 | 79 |

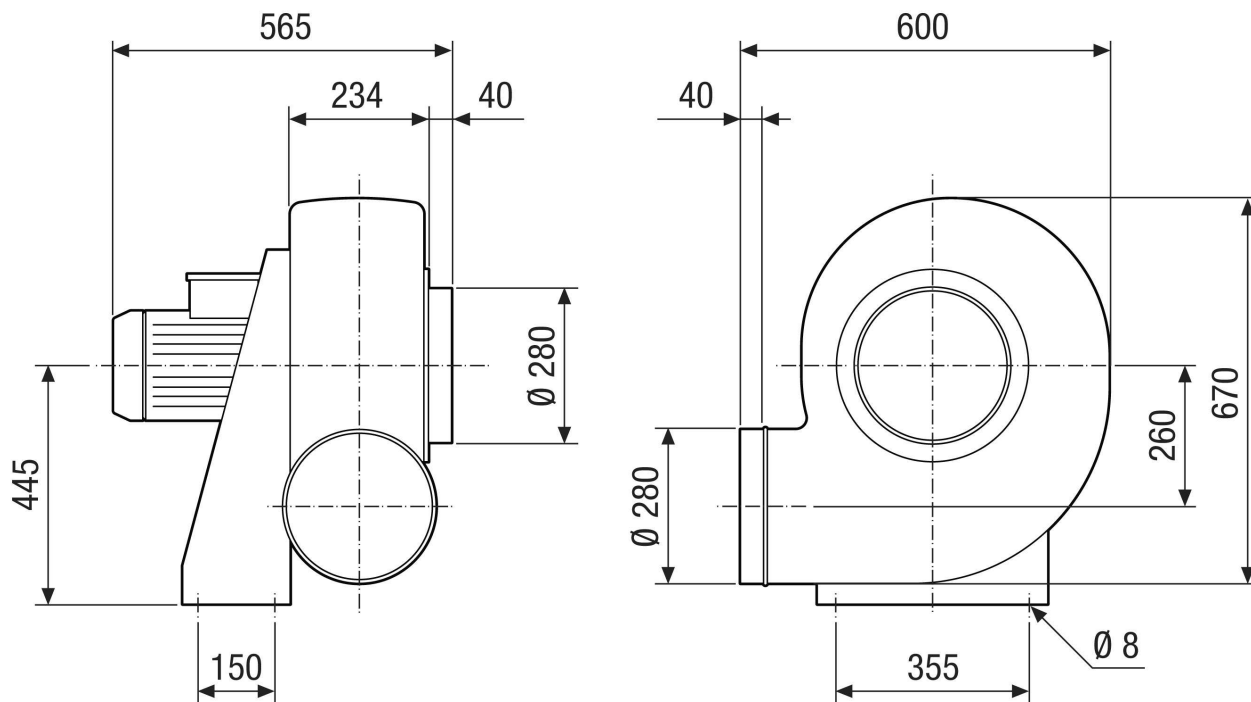
L_{WA5}= free inlet sound power level in dB.

Characteristic curve



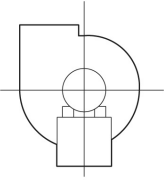
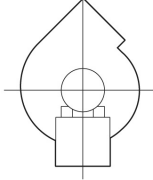
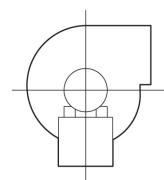
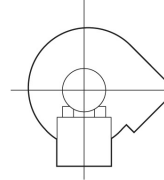
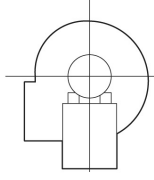
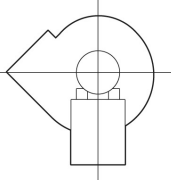
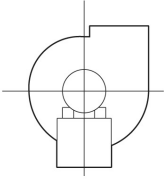
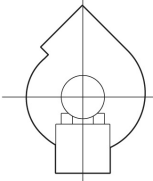
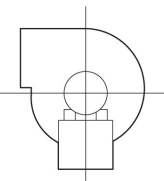
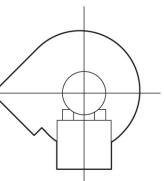
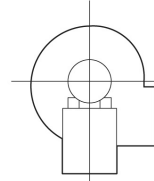
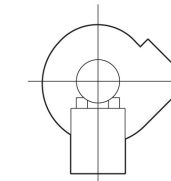
GRK R 35/4 E

Dimensioned drawing [mm]



GRK R 35/4 E

Dimensioned drawing Housing orientation [mm]

| | | | | | | |
|---|--|--|--|---|--|--|
| ① |  |  |  |  |  |  |
| | 0° | 45° | 90° | 135° | 270° | 315° |
| ② |  |  |  |  |  |  |

① RD Right-hand version

② LG Left-hand version

The GRK 12/2 E and GRK 12/4 D variants are not available in right-hand version RD!

The standard orientation is always LG 270°