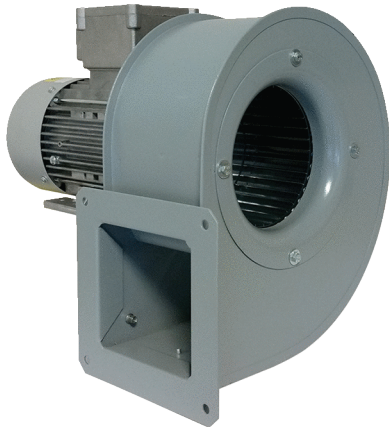


# GRM 12/2 E Ex



## Short description

Centrifugal blower, size 120, single-phase AC, for use in potentially explosive atmospheres, medium: gas

## Application examples

explosion-proof industrial applications

Article number 0073.0384

## Technical data

Air flow volume	900 m <sup>3</sup> /h
Rotating speed	2.880 1/min
Impeller type	radial
Speed controllable	–
Reversing capacity	–
Type of voltage	Alternating current
Rated voltage	230 V
Frequency	50 Hz
Nominal output	250 W
I <sub>nom</sub>	2,2 A
Degree of protection	IP 55
Insulation class	F
Pole-changeable	–
Installation site	Duct connection
Installation position	Horizontal
Material	Sheet steel, galvanised
Housing material	Steel
Colour	grey
Weight	10 kg
Weight including packaging	10,6 kg
Width	300 mm
Height	272 mm
Depth	246 mm
Width with packaging	400 mm
Height with packaging	335 mm
Depth with packaging	290 mm
EX designation in accordance with the ATEX Directive	Ex II 2 G
EX designation in accordance with standard	Ex db IIB+H2 T4 Gb X / Ex h IIB+H2 T4 Gb X
Ta ambient temperature	-20 °C ≤ Ta ≤ +40 °C

# GRM 12/2 E Ex

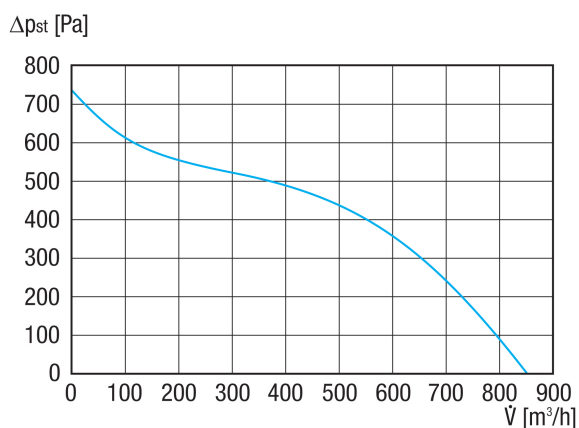
Operating mode	S1
PTC DIN 44082	M 100
Temperature class	T4
Packing unit	1 piece
Range	C
GTIN (EAN)	4012799733843

## Sound power level in octave range

	63 Hz	125 Hz	250 Hz	500 Hz	1 kHz	2 kHz	4 kHz	8 kHz	Total
<b>L<sub>WA5, S5</sub></b> <b>(dB(A))</b>	44	54	68	73	69	74	69	65	78

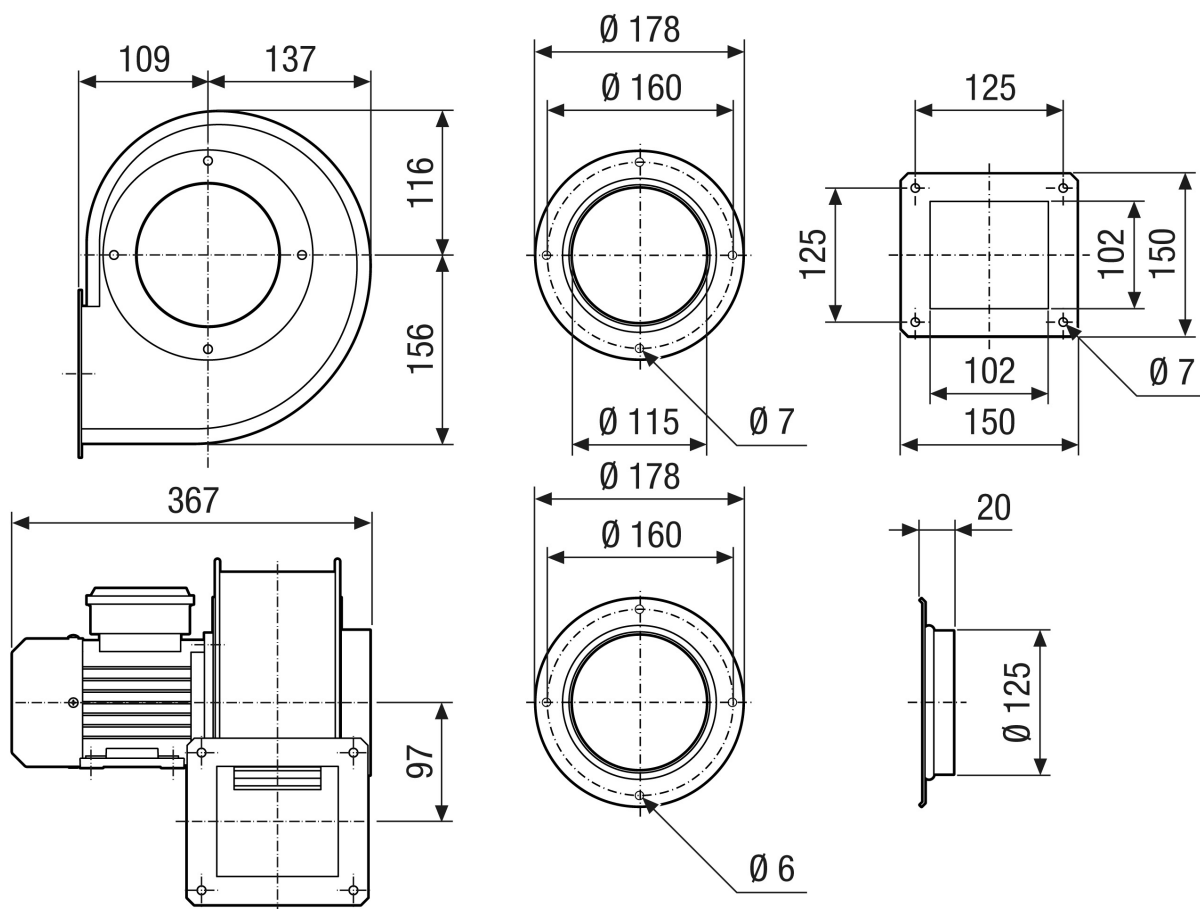
L<sub>WA5</sub>= free inlet sound power level in dB.

## Characteristic curve



# GRM 12/2 E Ex

Dimensioned drawing [mm]



# GRM 12/2 E Ex

Dimensioned drawing Housing orientation [mm]

①						
	0°	45°	90°	135°	270°	315°
②						

① Right-hand version

② Left-hand version

This size cannot be ordered in the versions 45°, 135°, 315°