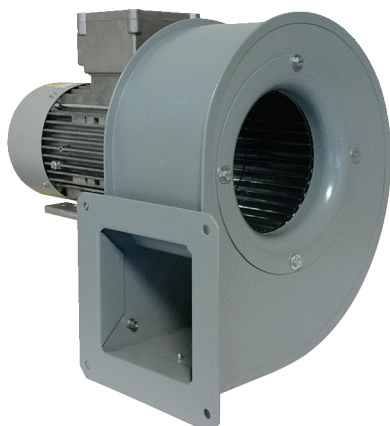


# GRM 14/2 E Ex



## Short description

Centrifugal blower, size 140, single-phase AC, for use in potentially explosive atmospheres, medium: gas

## Application examples

explosion-proof industrial applications

Article number 0073.0385

## Technical data

Air flow volume	1.268 m <sup>3</sup> /h
Rotating speed	2.880 1/min
Impeller type	radial
Speed controllable	–
Reversing capacity	–
Type of voltage	Alternating current
Rated voltage	230 V
Frequency	50 Hz
Nominal output	370 W
I <sub>nom</sub>	2,5 A
Degree of protection	IP 55
Insulation class	F
Pole-changeable	–
Installation site	Duct connection
Installation position	Horizontal
Material	Sheet steel, galvanised
Housing material	Steel
Colour	grey
Weight	12 kg
Weight including packaging	13 kg
Width	350 mm
Height	320 mm
Depth	284 mm
Width with packaging	520 mm
Height with packaging	480 mm
Depth with packaging	440 mm
EX designation in accordance with the ATEX Directive	Ex II 2 G
EX designation in accordance with standard	Ex db IIB+H2 T4 Gb X / Ex h IIB+H2 T4 Gb X
Ta ambient temperature	-20 °C ≤ Ta ≤ +40 °C

# GRM 14/2 E Ex

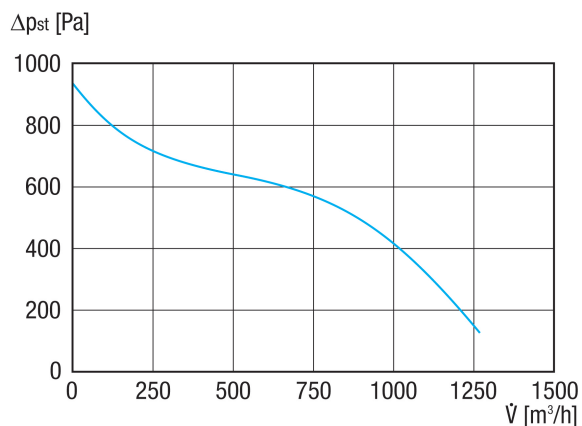
Operating mode	S1
PTC DIN 44082	M 100
Temperature class	T4
Packing unit	1 piece
Range	C
GTIN (EAN)	4012799733850

## Sound power level in octave range

	63 Hz	125 Hz	250 Hz	500 Hz	1 kHz	2 kHz	4 kHz	8 kHz	Total
<b>L<sub>WA5, S5</sub></b> <b>(dB(A))</b>	52	60	75	77	77	78	76	70	84

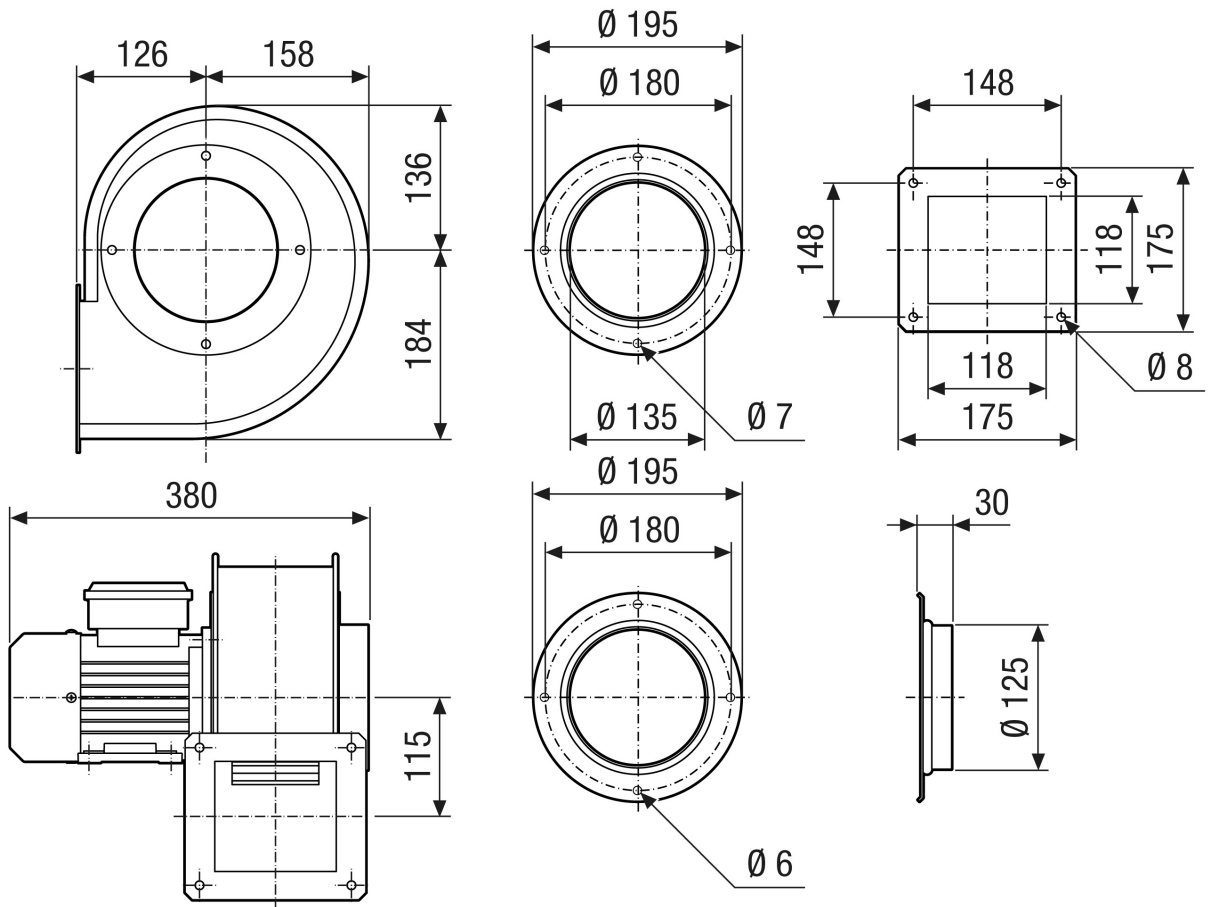
L<sub>WA5</sub>= free inlet sound power level in dB.

## Characteristic curve



# GRM 14/2 E Ex

Dimensioned drawing [mm]



# GRM 14/2 E Ex

Dimensioned drawing Housing orientation [mm]

①						
	0°	45°	90°	135°	270°	315°
②						

- ① Right-hand version
- ② Left-hand version