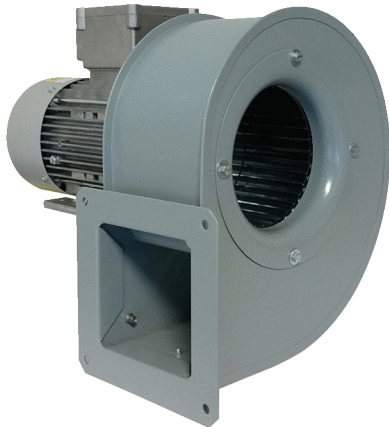


GRM 16/2 D Ex



Short description

Centrifugal blower, size 160, three-phase AC, for use in potentially explosive atmospheres, medium: gas

Application examples

explosion-proof industrial applications

Article number 0073.0389

Technical data

Air flow volume	2.318 m ³ /h
Rotating speed	2.880 1/min
Impeller type	radial
Speed controllable	✓
Reversing capacity	–
Type of voltage	Three-phase AC
Rated voltage	400 V
Frequency	50 Hz
Nominal output	750 W
I _{nom}	1,8 A
Degree of protection	IP 55
Insulation class	F
Pole-changeable	–
Installation site	Duct connection
Installation position	Horizontal
Material	Sheet steel, galvanised
Housing material	Steel
Colour	grey
Weight	17 kg
Weight including packaging	18 kg
Width	390 mm
Height	355 mm
Depth	318 mm
Width with packaging	520 mm
Height with packaging	480 mm
Depth with packaging	440 mm
EX designation in accordance with the ATEX Directive	Ex II 2 G
EX designation in accordance with standard	Ex db IIB+H2 T4 Gb X / Ex h IIB+H2 T4 Gb X
Ta ambient temperature	-20 °C ≤ Ta ≤ +40 °C

GRM 16/2 D Ex

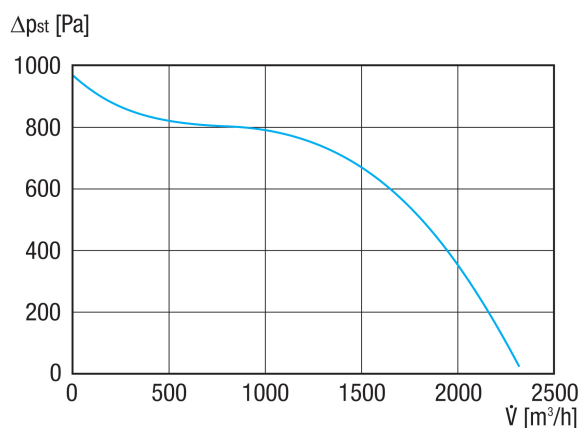
Operating mode	S1
PTC DIN 44082	M 100
Temperature class	T4
Packing unit	1 piece
Range	C
GTIN (EAN)	4012799733898

Sound power level in octave range

	63 Hz	125 Hz	250 Hz	500 Hz	1 kHz	2 kHz	4 kHz	8 kHz	Total
L_{WA5, S5} (dB(A))	53	64	79	81	82	83	81	75	89

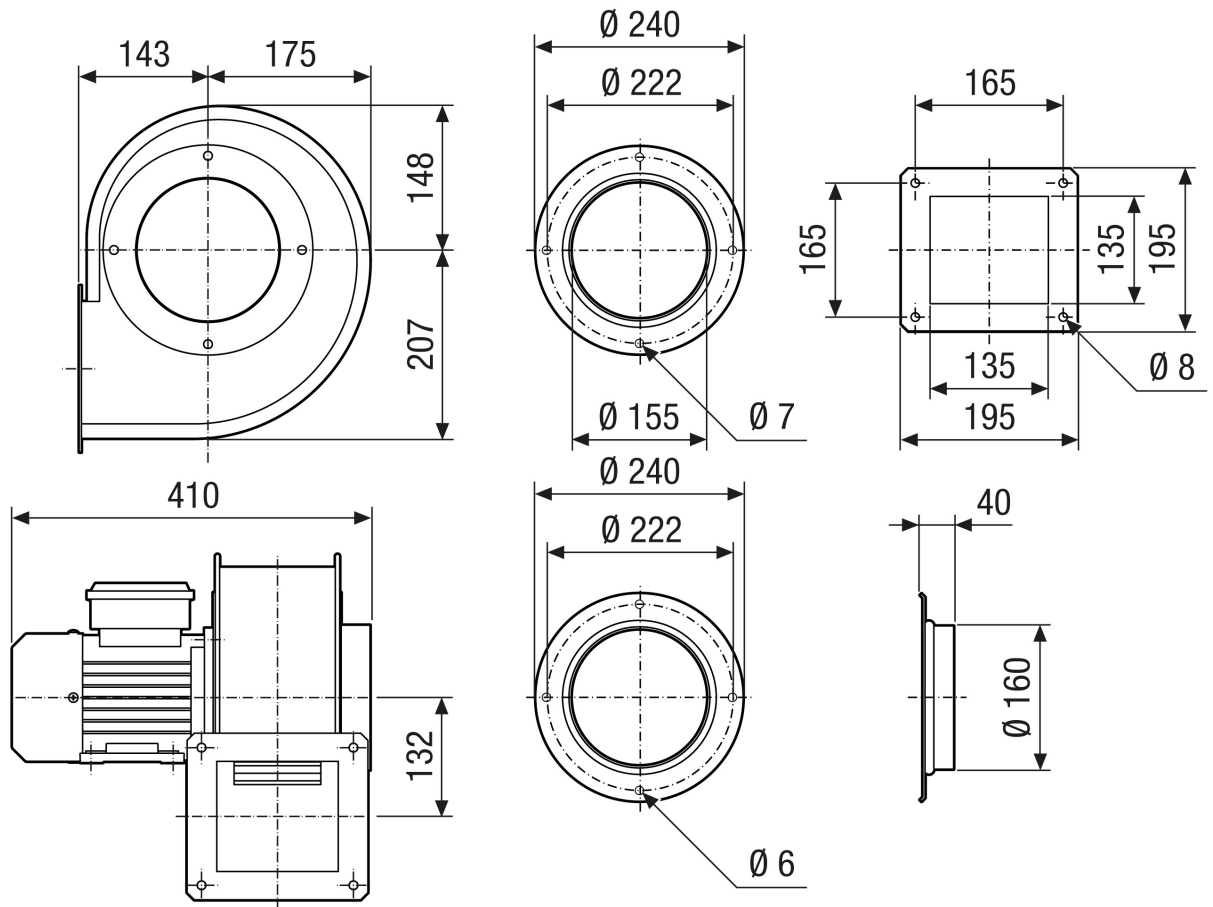
L_{WA5}= free inlet sound power level in dB.

Characteristic curve



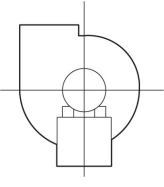
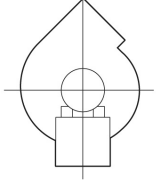
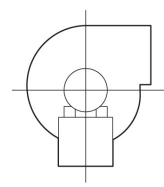
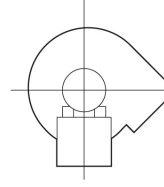
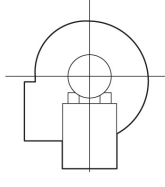
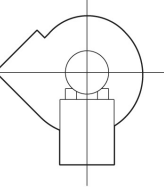
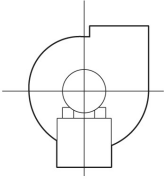
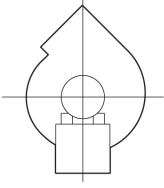
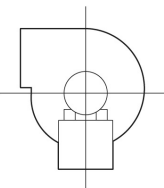
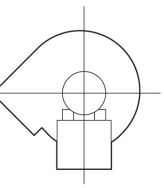
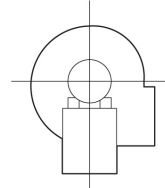
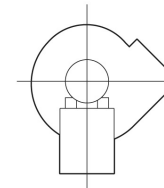
GRM 16/2 D Ex

Dimensioned drawing [mm]



GRM 16/2 D Ex

Dimensioned drawing Housing orientation [mm]

①						
	0°	45°	90°	135°	270°	315°
②						

- ① Right-hand version
- ② Left-hand version