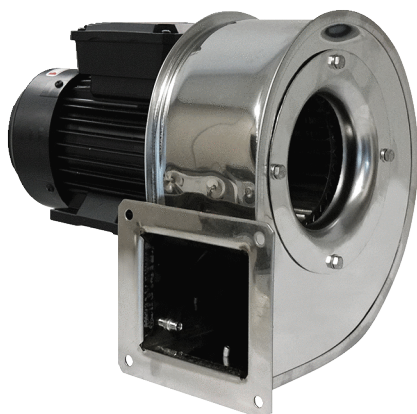


GRM ES 14/2 E



Short description

Metal centrifugal blower with stainless steel housing, size 140, alternating current

Application examples

Industrial applications

Article number 0073.0318

Technical data

Air flow volume	1.268 m ³ /h
Rotating speed	2.880 1/min
Impeller type	radial
Speed controllable	–
Reversing capacity	–
Type of voltage	Alternating current
Rated voltage	230 V
Frequency	50 Hz
Nominal output	370 W
I _{nom}	2,2 A
Degree of protection	IP 55
Insulation class	F
Pole-changeable	–
Installation site	Duct connection
Installation position	Horizontal
Housing material	Stainless steel
Impeller material	Stainless steel
Colour	Silver
Weight	10 kg
Weight including packaging	10,6 kg
Width	350 mm
Height	320 mm
Depth	284 mm
Width with packaging	400 mm
Height with packaging	335 mm
Depth with packaging	290 mm
Airstream temperature at I _{Max}	-20 °C up to 80 °C
PTC DIN 44082	M 100
Packing unit	1 piece

GRM ES 14/2 E

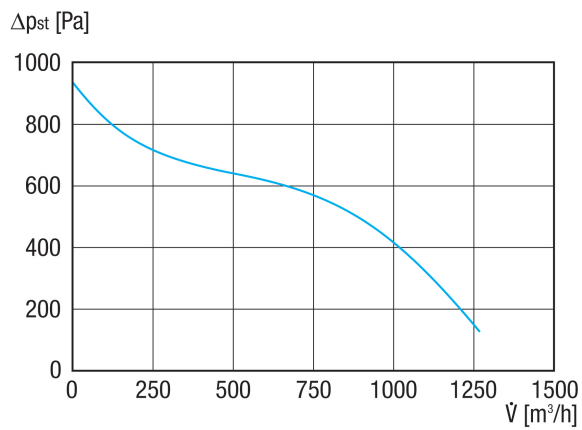
Range	C
GTIN (EAN)	4012799733188

Sound power level in octave range

	63 Hz	125 Hz	250 Hz	500 Hz	1 kHz	2 kHz	4 kHz	8 kHz	Total
L_{WA5, S5} (dB(A))	52	60	75	77	77	78	76	70	84

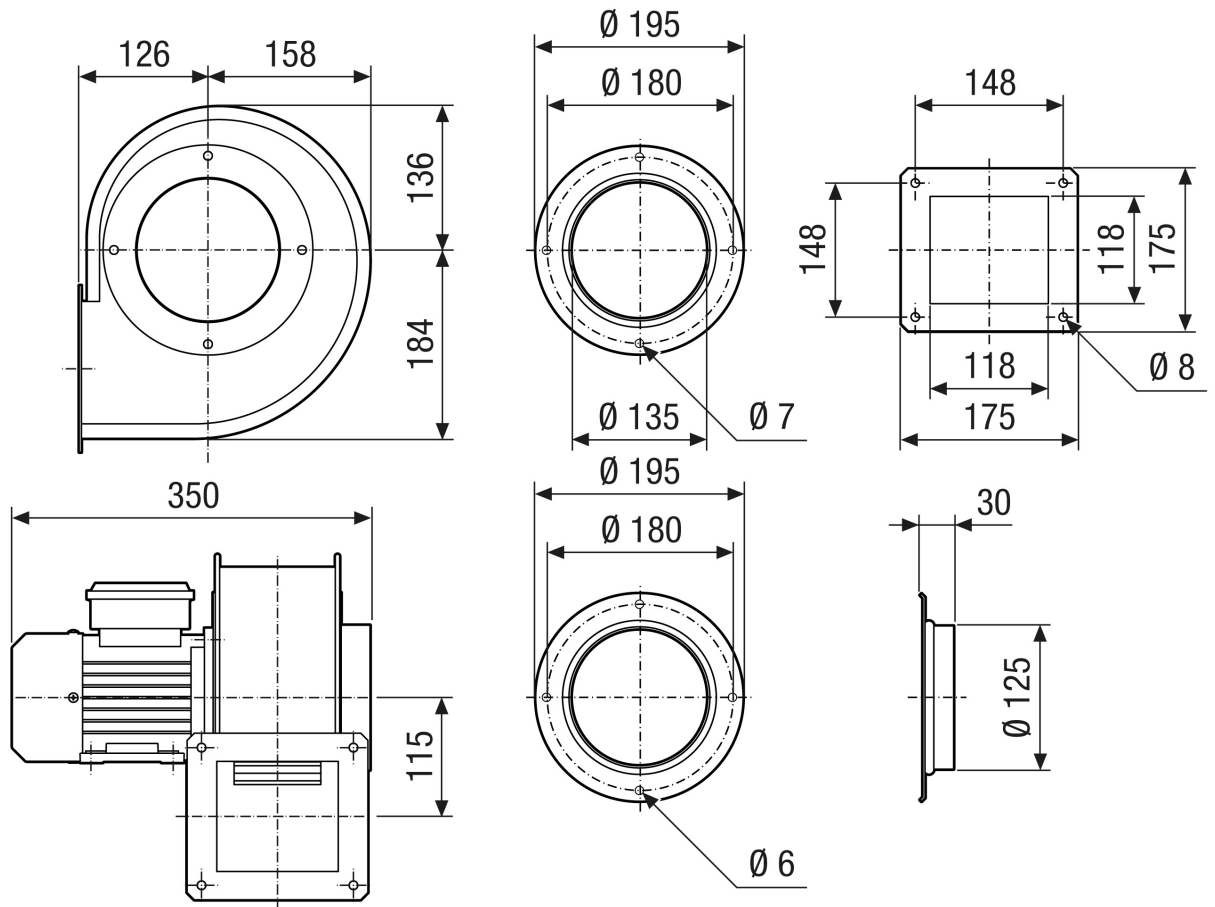
L_{WA5}= free inlet sound power level in dB.

Characteristic curve



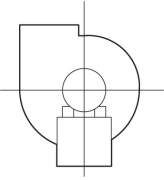
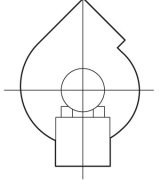
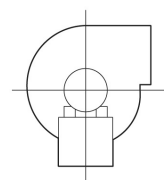
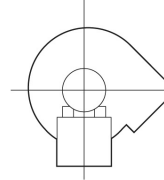
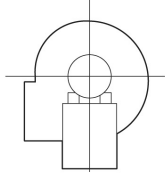
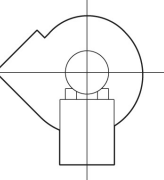
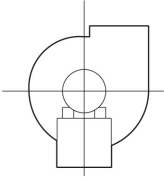
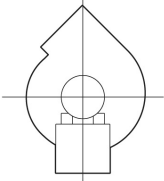
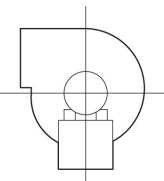
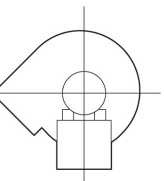
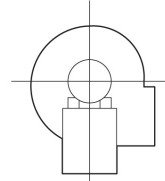
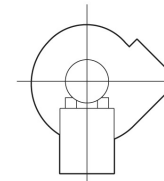
GRM ES 14/2 E

Dimensioned drawing [mm]



GRM ES 14/2 E

Dimensioned drawing Housing orientation [mm]

①						
	0°	45°	90°	135°	270°	315°
②						

- ① Right-hand version
- ② Left-hand version