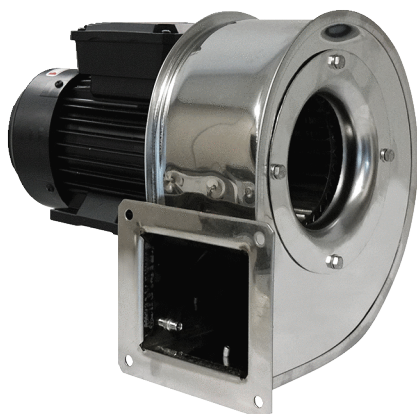


# GRM ES 16/2 E



## Short description

Metal centrifugal blower with stainless steel housing, size 160, alternating current

## Application examples

Industrial applications

Article number 0073.0319

## Technical data

Air flow volume	2.318 m³/h
Rotating speed	2.880 1/min
Impeller type	radial
Speed controllable	–
Reversing capacity	–
Type of voltage	Alternating current
Rated voltage	230 V
Frequency	50 Hz
Nominal output	750 W
I <sub>nom</sub>	4,2 A
Degree of protection	IP 55
Insulation class	F
Pole-changeable	–
Installation site	Duct connection
Installation position	Horizontal
Housing material	Stainless steel
Impeller material	Stainless steel
Colour	Silver
Weight	17 kg
Weight including packaging	18 kg
Width	390 mm
Height	355 mm
Depth	318 mm
Width with packaging	520 mm
Height with packaging	480 mm
Depth with packaging	440 mm
Airstream temperature at I <sub>Max</sub>	-20 °C up to 80 °C
PTC DIN 44082	M 100
Packing unit	1 piece

# GRM ES 16/2 E

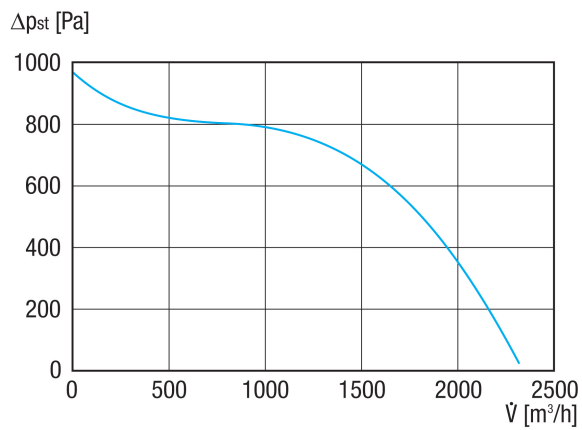
Range	C
GTIN (EAN)	4012799733195

## Sound power level in octave range

	63 Hz	125 Hz	250 Hz	500 Hz	1 kHz	2 kHz	4 kHz	8 kHz	Total
<b>L<sub>WA5, S5</sub></b> <b>(dB(A))</b>	53	64	79	81	82	83	81	75	89

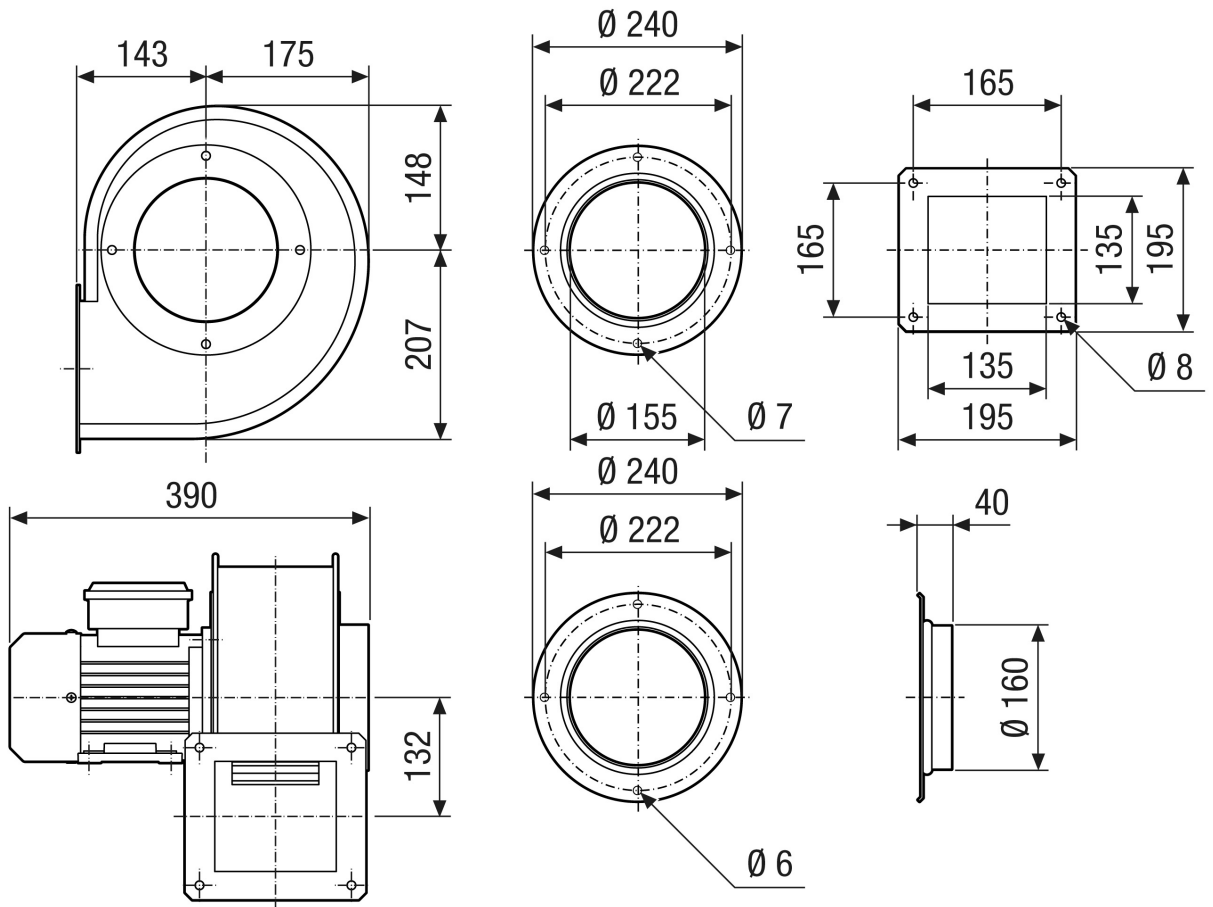
L<sub>WA5</sub>= free inlet sound power level in dB.

## Characteristic curve



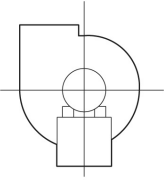
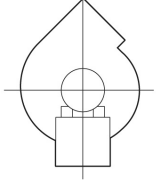
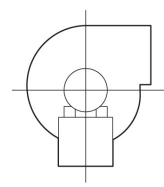
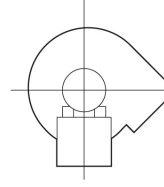
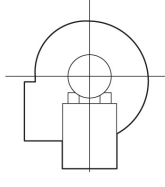
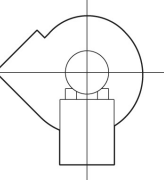
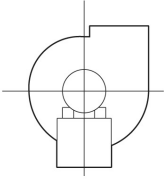
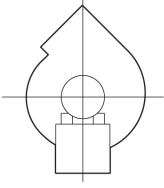
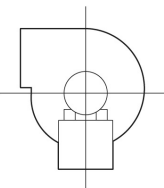
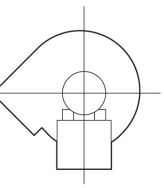
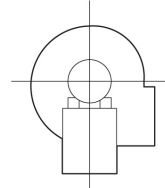
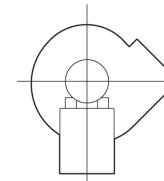
# GRM ES 16/2 E

Dimensioned drawing [mm]



# GRM ES 16/2 E

Dimensioned drawing Housing orientation [mm]

①						
	0°	45°	90°	135°	270°	315°
②						

- ① Right-hand version
- ② Left-hand version