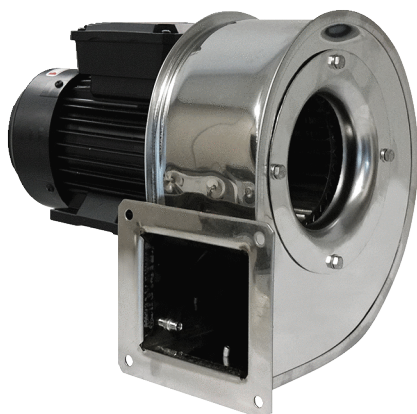


GRM ES 18/2 D



Short description

Metal centrifugal blower with stainless steel housing, size 180, three-phase AC

Application examples

Industrial applications

Article number 0073.0324

Technical data

Air flow volume	2.490 m³/h
Rotating speed	2.880 1/min
Impeller type	radial
Speed controllable	✓
Reversing capacity	–
Type of voltage	Three-phase AC
Rated voltage	400 V
Frequency	50 Hz
Nominal output	1.100 W
I _{nom}	2,5 A
Degree of protection	IP 55
Insulation class	F
Pole-changeable	–
Installation site	Duct connection
Installation position	Horizontal
Housing material	Stainless steel
Impeller material	Stainless steel
Colour	Silver
Weight	20 kg
Weight including packaging	21 kg
Size	180 mm
Width	400 mm
Height	398 mm
Depth	356 mm
Width with packaging	520 mm
Height with packaging	480 mm
Depth with packaging	440 mm
Airstream temperature at I _{Max}	-20 °C up to 80 °C
PTC DIN 44082	M 100

GRM ES 18/2 D

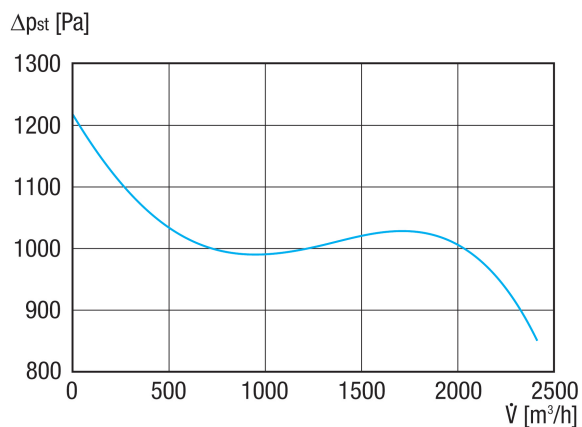
Packing unit	1 piece
Range	C
GTIN (EAN)	4012799733249

Sound power level in octave range

	63 Hz	125 Hz	250 Hz	500 Hz	1 kHz	2 kHz	4 kHz	8 kHz	Total
L_{WA5, S5} (dB(A))	61	71	83	85	87	86	84	78	92

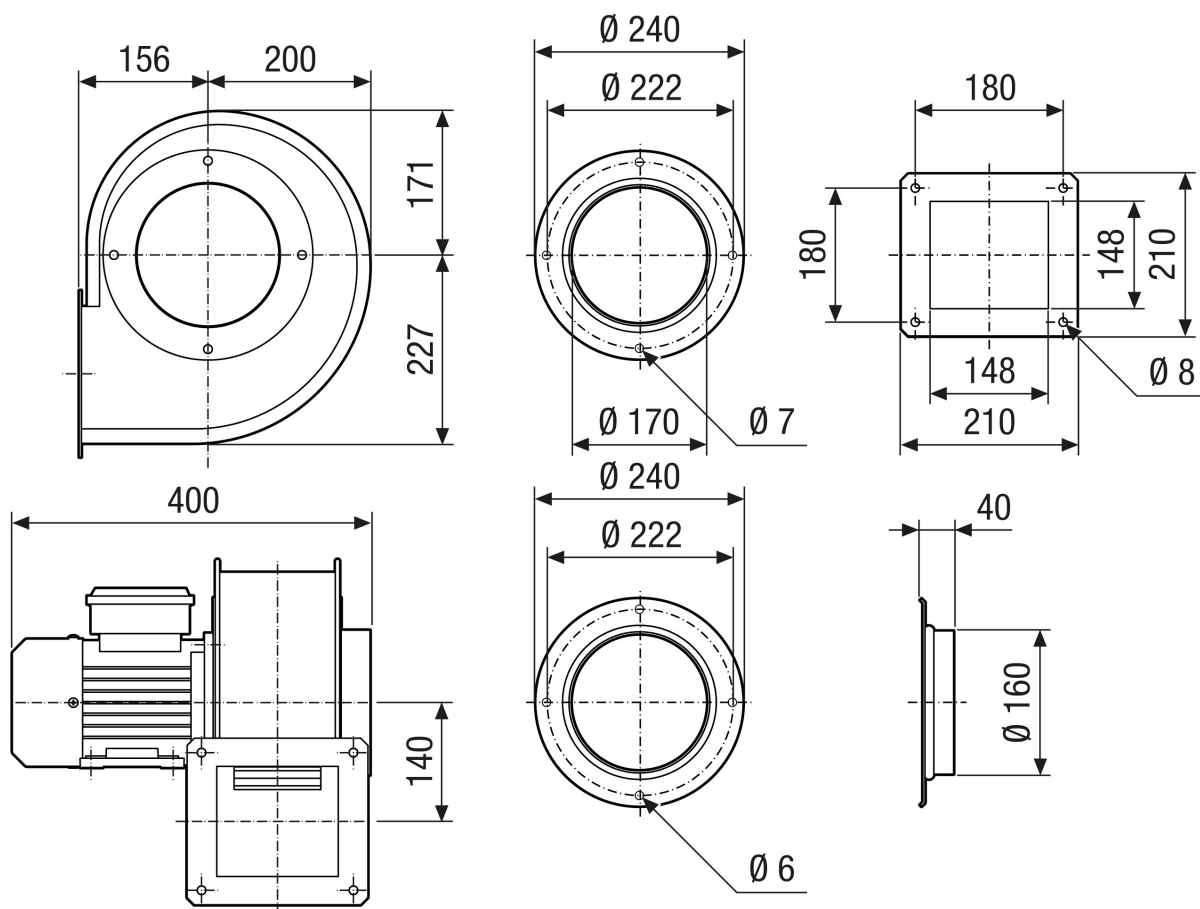
L_{WA5}= free inlet sound power level in dB.

Characteristic curve



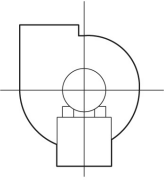
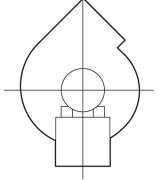
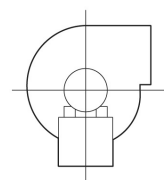
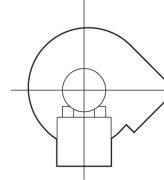
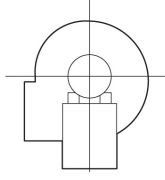
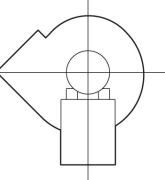
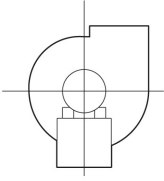
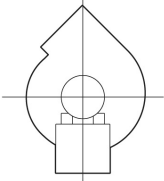
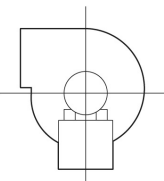
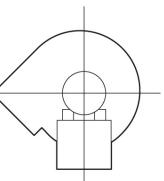
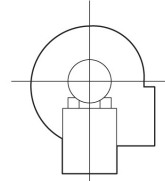
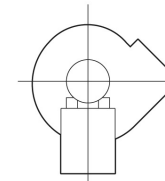
GRM ES 18/2 D

Dimensioned drawing [mm]



GRM ES 18/2 D

Dimensioned drawing Housing orientation [mm]

①						
	0°	45°	90°	135°	270°	315°
②						

① RD Right-hand version

② LG Left-hand version

The GRK 12/2 E and GRK 12/4 D variants are not available in right-hand version RD!

The standard orientation is always LG 270°