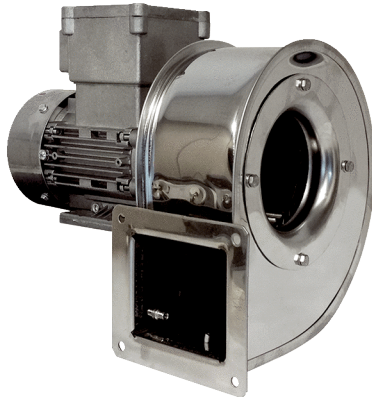


GRM ES 18/2 Ex



Short description

Centrifugal blower with stainless steel housing, size 180, three-phase AC, for use in potentially explosive atmospheres, medium: gas

Application examples

explosion-proof industrial applications

Article number 0073.0395

Technical data

Air flow volume	2.790 m³/h
Rotating speed	2.880 1/min
Impeller type	radial
Speed controllable	✓
Reversing capacity	–
Type of voltage	Three-phase AC
Rated voltage	400 V
Frequency	50 Hz
Nominal output	1.100 W
I _{nom}	2,4 A
Degree of protection	IP 55
Insulation class	F
Pole-changeable	–
Installation site	Duct connection
Installation position	Horizontal
Housing material	Stainless steel (AISI 304)
Colour	Silver
Weight	20 kg
Weight including packaging	21 kg
Width	400 mm
Height	398 mm
Depth	356 mm
Width with packaging	520 mm
Height with packaging	480 mm
Depth with packaging	440 mm
EX designation in accordance with the ATEX Directive	Ex II 2 G
EX designation in accordance with standard	Ex db IIB+H2 T4 Gb X / Ex h IIB+H2 T4 Gb X
Ta ambient temperature	-20 °C ≤ Ta ≤ +40 °C
Operating mode	S1

GRM ES 18/2 Ex

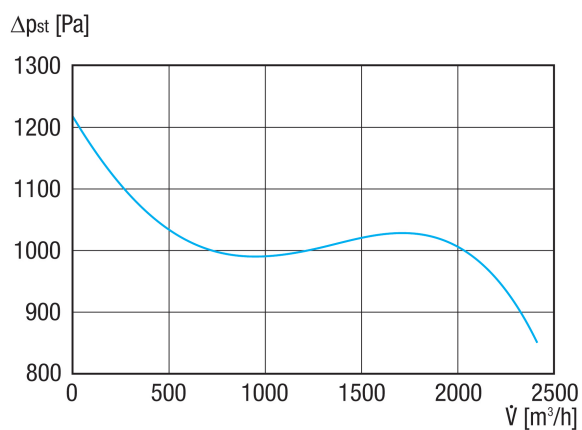
PTC DIN 44082	M 100
Temperature class	T4
Packing unit	1 piece
Range	C
GTIN (EAN)	4012799733959

Sound power level in octave range

	63 Hz	125 Hz	250 Hz	500 Hz	1 kHz	2 kHz	4 kHz	8 kHz	Total
L_{WA5, S5} (dB(A))	61	71	83	85	87	86	84	78	92

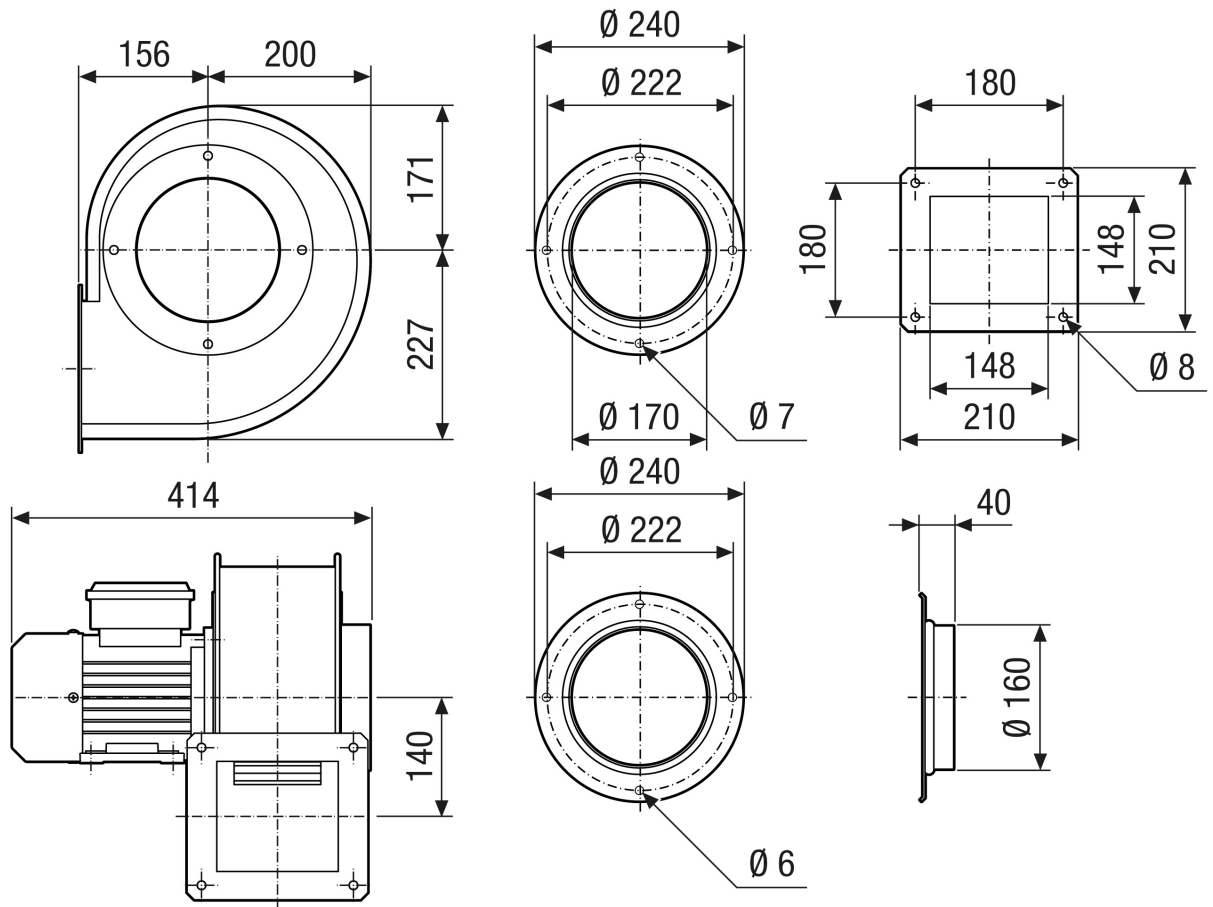
L_{WA5}= free inlet sound power level in dB.

Characteristic curve



GRM ES 18/2 Ex

Dimensioned drawing [mm]



GRM ES 18/2 Ex

Dimensioned drawing Housing orientation [mm]

①						
	0°	45°	90°	135°	270°	315°
②						

- ① Right-hand version
- ② Left-hand version