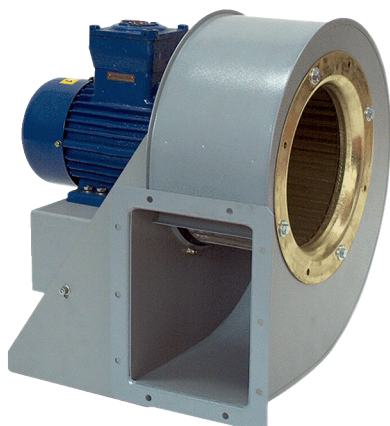


GRM HD 31/4-2 Ex



Short description

Centrifugal blower made of metal for high-pressure applications, size 310, three-phase AC with 2.2 kW, for use in potentially explosive atmospheres, medium: gas

Application examples

explosion-proof industrial applications

Article number 0073.0407

Technical data

| | |
|--|--|
| Model | Motor variant 2 |
| Air flow volume | 5.760 m ³ /h |
| Rotating speed | 1.460 1/min |
| Impeller type | radial |
| Speed controllable | ✓ |
| Reversing capacity | – |
| Type of voltage | Three-phase AC |
| Rated voltage | 400 V |
| Frequency | 50 Hz |
| Nominal output | 2.200 W |
| I _{nom} | 5,5 A |
| Degree of protection | IP 55 |
| Insulation class | F |
| Pole-changeable | – |
| Installation site | Duct connection |
| Installation position | Horizontal |
| Material | Sheet steel, galvanised |
| Housing material | Steel, coated |
| Colour | grey |
| Weight | 55 kg |
| Weight including packaging | 58 kg |
| Width | 538 mm |
| Height | 649 mm |
| Depth | 570 mm |
| Width with packaging | 600 mm |
| Height with packaging | 750 mm |
| Depth with packaging | 700 mm |
| EX designation in accordance with the ATEX Directive | Ex II 2 G |
| EX designation in accordance with standard | Ex db IIB+H2 T4 Gb X / Ex h IIB+H2 T4 Gb X |

GRM HD 31/4-2 Ex

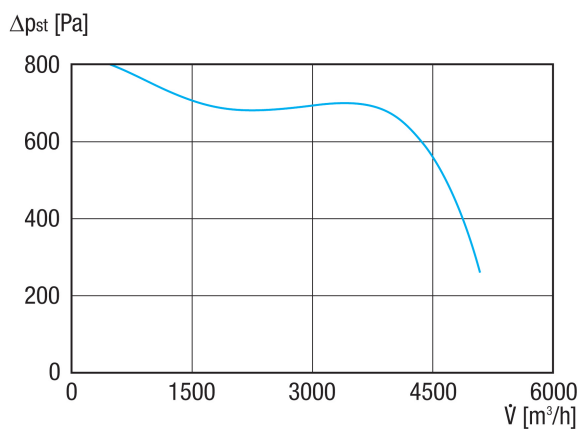
| | |
|------------------------|----------------------|
| Ta ambient temperature | -20 °C ≤ Ta ≤ +40 °C |
| Operating mode | S1 |
| PTC DIN 44082 | M 100 |
| Temperature class | T4 |
| Packing unit | 1 piece |
| Range | C |
| GTIN (EAN) | 4012799734079 |

Sound power level in octave range

| | 63 Hz | 125 Hz | 250 Hz | 500 Hz | 1 kHz | 2 kHz | 4 kHz | 8 kHz | Total |
|--|-------|--------|--------|--------|-------|-------|-------|-------|-------|
| L_{WA5, S5} (dB(A)) | 60 | 72 | 78 | 81 | 86 | 79 | 71 | 61 | 88 |

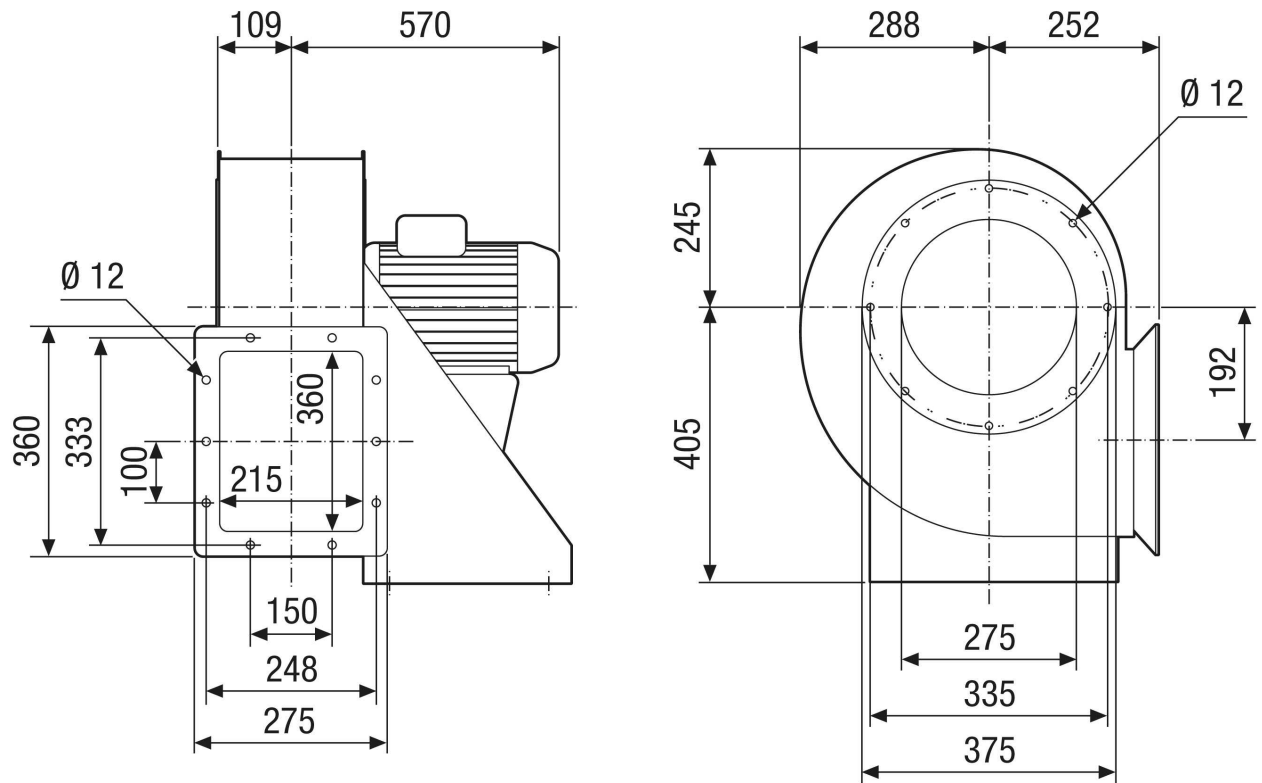
L_{WA5}= free inlet sound power level in dB.

Characteristic curve



GRM HD 31/4-2 Ex

Dimensioned drawing [mm]



GRM HD 31/4-2 Ex

Dimensioned drawing Housing orientation [mm]

| | | | | | | |
|---|--|--|--|---|--|--|
| ① |  |  |  |  |  |  |
| | 0° | 45° | 90° | 135° | 270° | 315° |
| ② |  |  |  |  |  |  |

- ① Right-hand version
- ② Left-hand version