

# GRM HD 35/4-1 Ex



## Short description

Centrifugal blower made of metal for high-pressure applications, size 350, three-phase AC with 4 kW, for use in potentially explosive atmospheres, medium: gas

## Application examples

explosion-proof industrial applications

Article number 0073.0409

## Technical data

|  |                         |
|--|-------------------------|
| Model  | Motor variant 1         |
| Air flow volume                                      | 7.800 m <sup>3</sup> /h |
| Rotating speed                                       | 1.460 1/min             |
| Impeller type  | radial                  |
| Speed controllable                                   | ✓                       |
| Reversing capacity                                   | –                       |
| Type of voltage                                      | Three-phase AC          |
| Rated voltage  | 400 V                   |
| Frequency  | 50 Hz                   |
| Nominal output                                       | 4.000 W                 |
| I <sub>nom</sub>                                     | 8,8 A                   |
| Degree of protection                                 | IP 55                   |
| Insulation class                                     | F                       |
| Pole-changeable                                      | –                       |
| Installation site                                    | Duct connection         |
| Installation position                                | Horizontal              |
| Material   | Sheet steel, galvanised |
| Housing material                                     | Steel, coated           |
| Colour   | grey                    |
| Weight   | 73 kg                   |
| Weight including packaging                           | 76 kg                   |
| Size   | 350 mm                  |
| Width  | 593 mm                  |
| Height   | 715 mm                  |
| Depth  | 613 mm                  |
| Width with packaging                                 | 600 mm                  |
| Height with packaging                                | 750 mm                  |
| Depth with packaging                                 | 700 mm                  |
| EX designation in accordance with the ATEX Directive | Ex II 2 G               |

# GRM HD 35/4-1 Ex

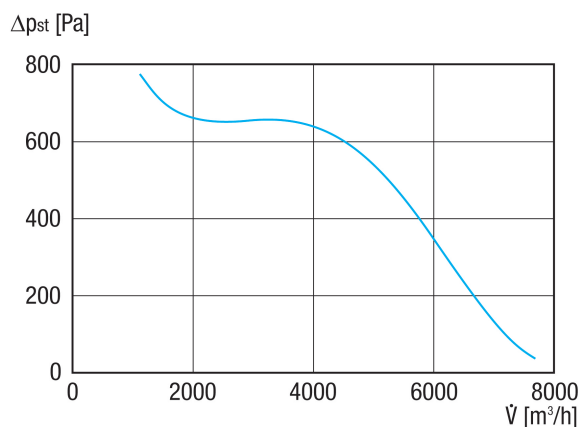
|  |  |
|--|--|
| EX designation in accordance with standard | Ex db IIB+H2 T4 Gb X / Ex h IIB+H2 T4 Gb X |
| Ta ambient temperature                     | -20 °C ≤ Ta ≤ +40 °C                       |
| Operating mode                             | S1   |
| PTC DIN 44082                              | M 100                                      |
| Temperature class                          | T4   |
| Packing unit                               | 1 piece                                    |
| Range                                      | C  |
| GTIN (EAN)                                 | 4012799734093                              |

## Sound power level in octave range

|  | 63 Hz | 125 Hz | 250 Hz | 500 Hz | 1 kHz | 2 kHz | 4 kHz | 8 kHz | Total |
|--|-------|--------|--------|--------|-------|-------|-------|-------|-------|
| <b>L<sub>WA5, S5</sub></b><br><b>(dB(A))</b> | 66    | 78     | 83     | 87     | 92    | 85    | 77    | 67    | 94    |

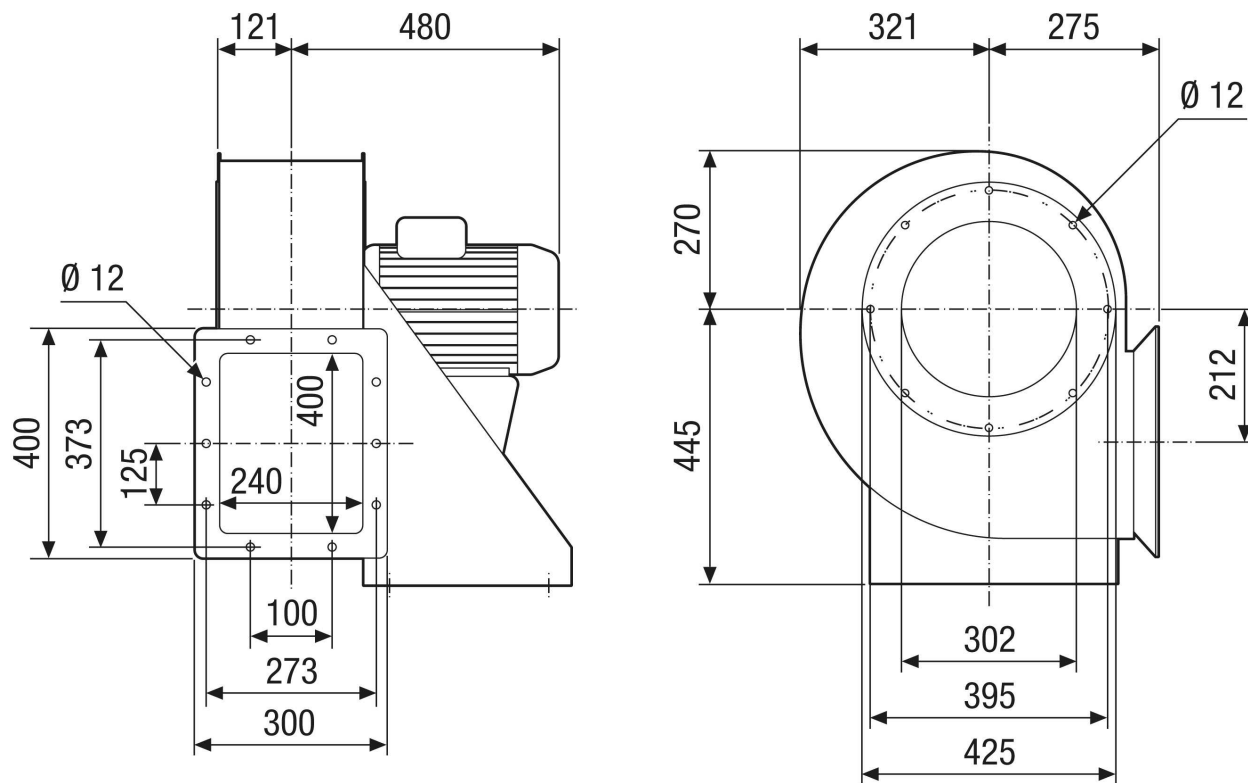
L<sub>WA5</sub>= free inlet sound power level in dB.

## Characteristic curve



# GRM HD 35/4-1 Ex

Dimensioned drawing [mm]



# GRM HD 35/4-1 Ex

Dimensioned drawing Housing orientation [mm]

|   |  |  |  |   |  |  |
|---|--|--|--|---|--|--|
| ① |   |   |   |   |   |   |
|   | 0°   | 45°  | 90°  | 135°  | 270°   | 315°   |
| ② |  |  |  |  |  |  |

① RD Right-hand version

② LG Left-hand version

The GRK 12/2 E and GRK 12/4 D variants are not available in right-hand version RD!

The standard orientation is always LG 270°