

GRM HD 45/6 Ex



Short description

Centrifugal blower made of metal for high-pressure applications, 6-pole, size 450, three-phase AC, for use in potentially explosive atmospheres, medium: gas

Application examples

explosion-proof industrial applications

Article number 0073.0418

Technical data

Air flow volume	7.150 m ³ /h
Rotating speed	970 1/min
Impeller type	radial
Speed controllable	✓
Reversing capacity	–
Type of voltage	Three-phase AC
Rated voltage	400 V
Frequency	50 Hz
Nominal output	4.000 W
I _{nom}	8,64 A
Degree of protection	IP 55
Insulation class	F
Pole-changeable	–
Installation site	Duct connection
Installation position	Horizontal
Material	Sheet steel, galvanised
Housing material	Steel, coated
Colour	grey
Weight	146 kg
Weight including packaging	169 kg
Width	740 mm
Height	897 mm
Depth	743 mm
Width with packaging	800 mm
Height with packaging	1.200 mm
Depth with packaging	1.050 mm
EX designation in accordance with the ATEX Directive	Ex II 2 G
EX designation in accordance with standard	Ex db IIB+H2 T4 Gb X / Ex h IIB+H2 T4 Gb X
Ta ambient temperature	-20 °C ≤ Ta ≤ +40 °C

GRM HD 45/6 Ex

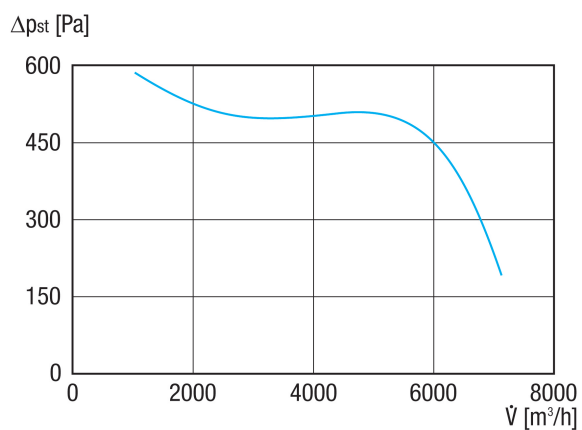
Operating mode	S1
PTC DIN 44082	M 100
Temperature class	T4
Packing unit	1 piece
Range	C
GTIN (EAN)	4012799734185

Sound power level in octave range

	63 Hz	125 Hz	250 Hz	500 Hz	1 kHz	2 kHz	4 kHz	8 kHz	Total
L_{WA5, S5} (dB(A))	62	74	80	86	85	81	73	63	90

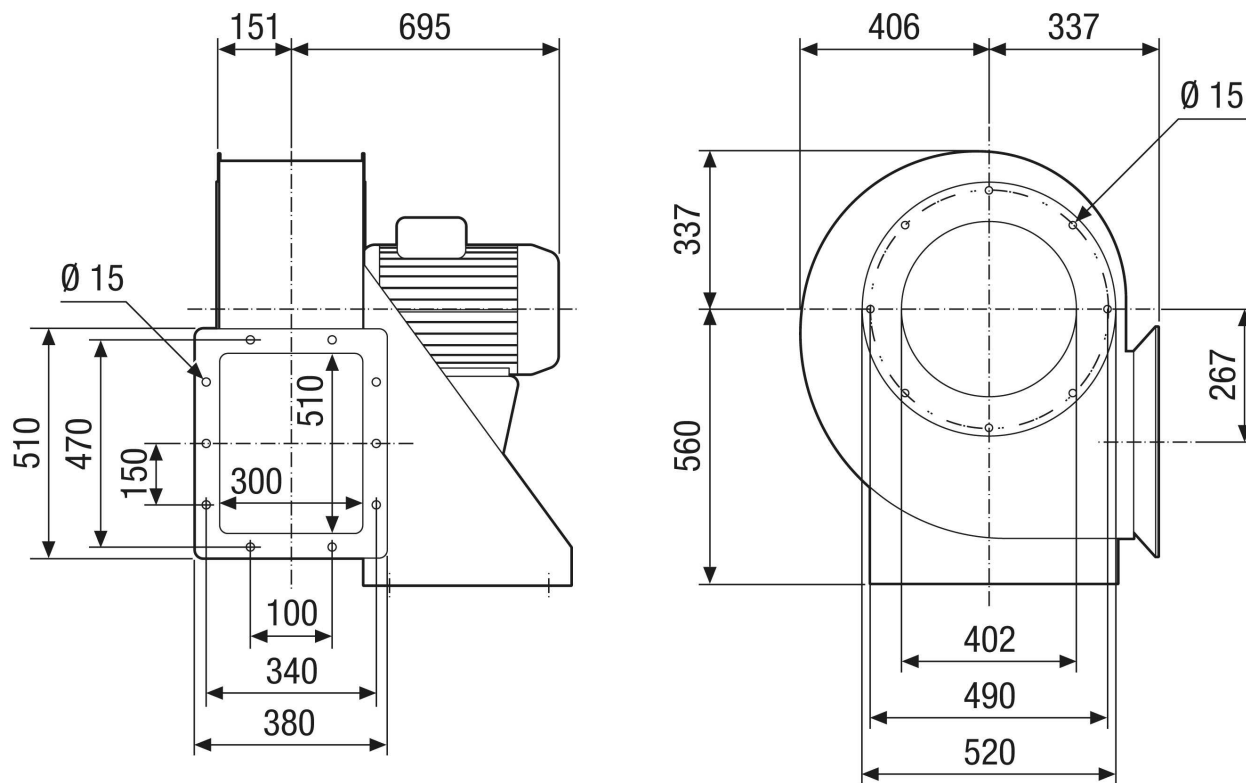
L_{WA5}= free inlet sound power level in dB.

Characteristic curve



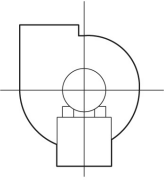
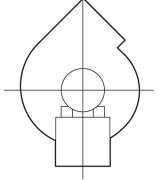
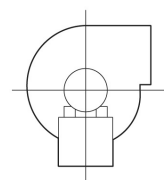
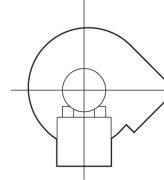
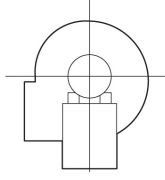
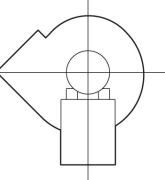
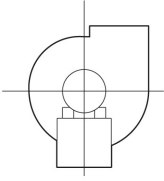
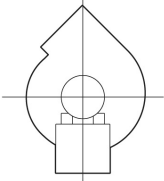
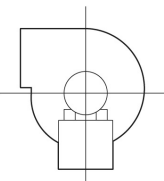
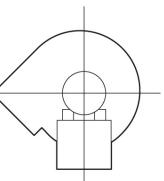
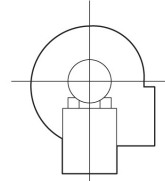
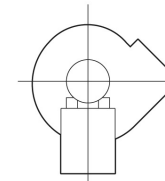
GRM HD 45/6 Ex

Dimensioned drawing [mm]



GRM HD 45/6 Ex

Dimensioned drawing Housing orientation [mm]

①						
	0°	45°	90°	135°	270°	315°
②						

- ① Right-hand version
- ② Left-hand version