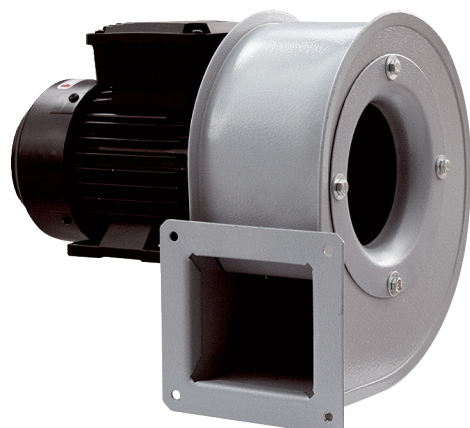


# GRM HT 18/2



## Short description

Metal centrifugal blower for high temperatures, size 180, three-phase AC

## Application examples

Industrial building, High temperature ranges

Article number 0073.0283

## Technical data

Air flow volume	2.490 m³/h
Rotating speed	2.880 1/min
Impeller type	radial
Speed controllable	✓
Reversing capacity	–
Type of voltage	Three-phase AC
Rated voltage	400 V
Frequency	50 Hz
Nominal output	1.100 W
I <sub>nom</sub>	2,3 A
I <sub>max</sub>	2,2 A
Degree of protection	IP 55
Insulation class	F
Pole-changeable	–
Installation site	Duct connection
Installation position	Horizontal
Housing material	Steel, coated
Impeller material	Sheet steel, galvanised
Colour	Silver
Weight	20 kg
Weight including packaging	21 kg
Width	460 mm
Height	398 mm
Depth	356 mm
Width with packaging	520 mm
Height with packaging	480 mm
Depth with packaging	440 mm
Airstream temperature at I <sub>Max</sub>	150 °C
PTC DIN 44082	M 100

# GRM HT 18/2

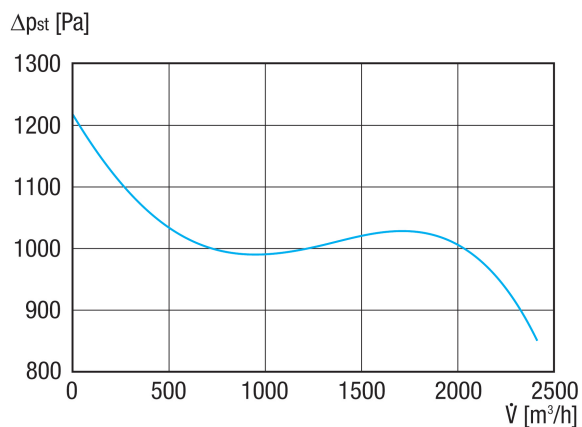
Packing unit	1 piece
Range	C
GTIN (EAN)	4012799732839

## Sound power level in octave range

	63 Hz	125 Hz	250 Hz	500 Hz	1 kHz	2 kHz	4 kHz	8 kHz	Total
<b>L<sub>WA5, S5</sub></b> <b>(dB(A))</b>	61	71	83	85	87	86	84	78	92

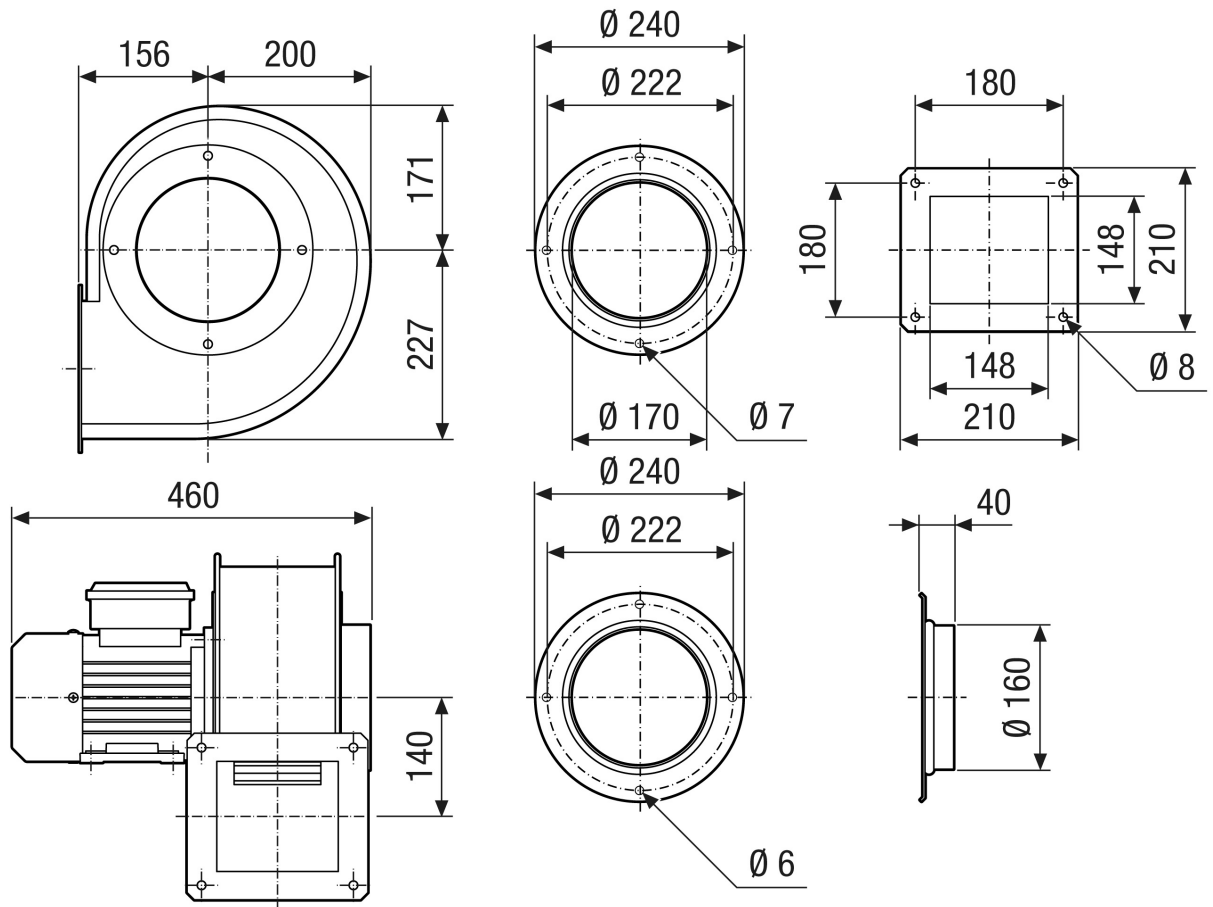
L<sub>WA5</sub>= free inlet sound power level in dB.

## Characteristic curve



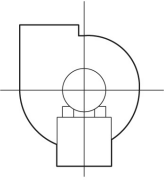
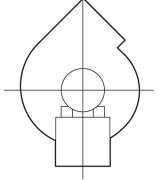
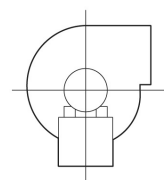
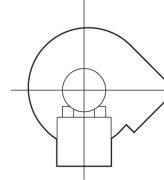
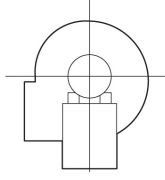
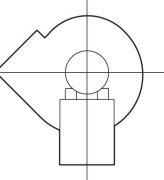
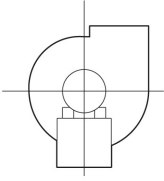
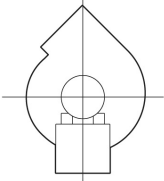
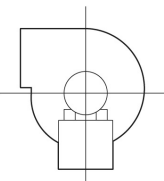
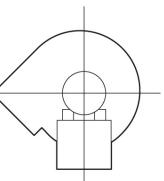
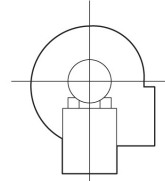
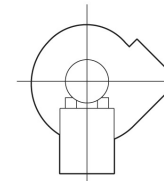
# GRM HT 18/2

Dimensioned drawing [mm]



# GRM HT 18/2

Dimensioned drawing Housing orientation [mm]

①						
	0°	45°	90°	135°	270°	315°
②						

- ① Right-hand version
- ② Left-hand version