

# GS 50



## Short description

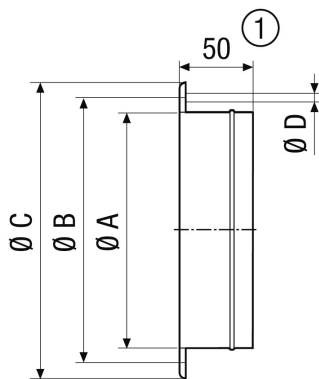
Counter socket for fitting DN 500 flexible cuffs on ventilation ducts

Article number 0055.0174

## Technical data

Material	Sheet steel, galvanised
Weight	1,4 kg
Weight including packaging	1,41 kg
Suitable for nominal size cuffs	500 mm
Width	565 mm
Height	565 mm
Depth	50 mm
Width with packaging	565 mm
Height with packaging	565 mm
Depth with packaging	50 mm
Packing unit	1 piece
Range	C
GTIN (EAN)	4012799551744

## Dimensioned drawing [mm]



A	B	C	D
513	541	565	10

① GS 56: 55 mm