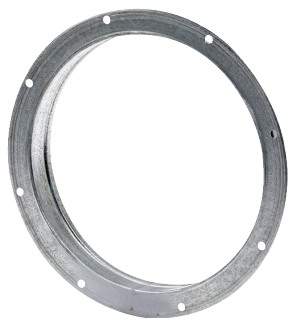


GS 56



Short description

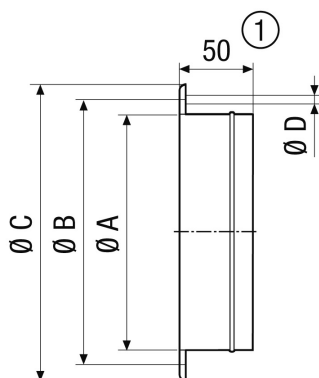
Counter socket for fitting DN 560 flexible cuffs on ventilation ducts

Article number 0055.0176

Technical data

Material	Sheet steel, galvanised
Weight	2,2 kg
Weight including packaging	2,21 kg
Suitable for nominal size cuffs	560 mm
Width	664 mm
Height	664 mm
Depth	50 mm
Width with packaging	664 mm
Height with packaging	664 mm
Depth with packaging	50 mm
Packing unit	1 piece
Range	C
GTIN (EAN)	4012799551768

Dimensioned drawing [mm]



A	B	C	D
570	629	664	14

① GS 56: 55 mm