

# KB45H/70/170



## Short description

Channel elbow 70/170, 45°, horizontal

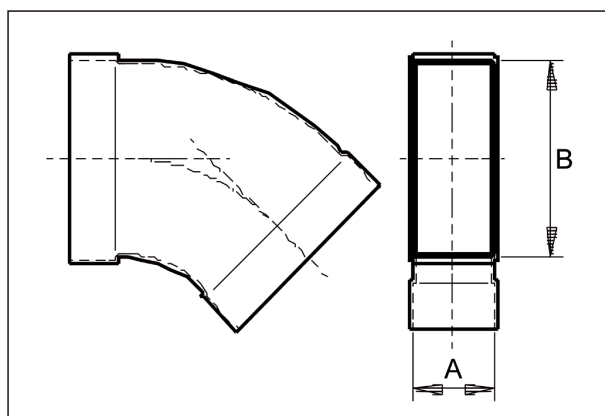
Article number

0055.0584

## Technical data

Material	Sheet steel, Sendzimir galvanised
Weight including packaging	0 kg
Channel dimension	170 mm x x 70 mm
Width with packaging	0 mm
Height with packaging	0 mm
Depth with packaging	0 mm
Packing unit	1 piece
Range	K
GTIN (EAN)	4012799555841

## Dimensioned drawing [mm]



A	B
70	170