

# KB45V/55/110



## Short description

Channel elbow 55/110, 45°, short, vertical

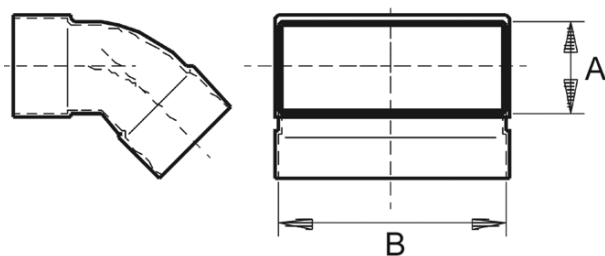
Article number 0055.0600

## Technical data

Material	Sheet steel, Sendzimir galvanised
Channel dimension	110 mm x x 55 mm
Packing unit	1 piece
Range	K
GTIN (EAN)	4012799556008

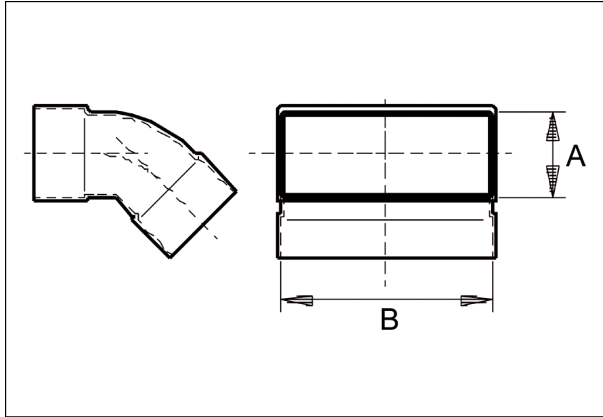
## Dimensioned drawing [mm]

A	B
55	110



# KB45V/55/110

Dimensioned drawing [mm]



A	B
55	110