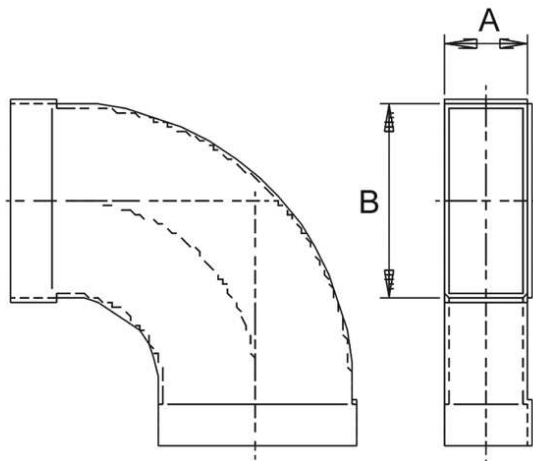


KB90LH/55/220



Short description

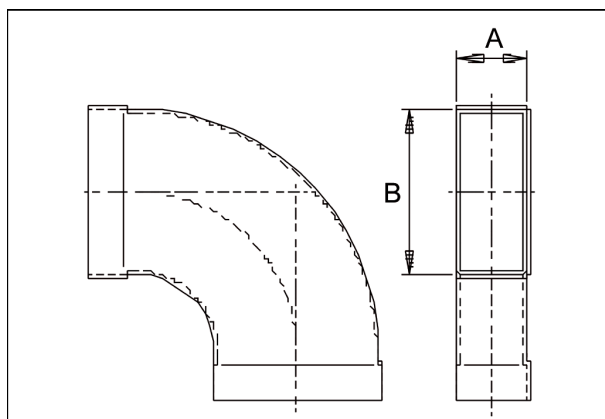
Channel elbow 55/220, 90°, long, horizontal

Article number 0055.0571

Technical data

Material	Sheet steel, Sendzimir galvanised
Channel dimension	220 mm x x 55 mm
Packing unit	1 piece
Range	K
GTIN (EAN)	4012799555711

Dimensioned drawing [mm]



A	B
55	220