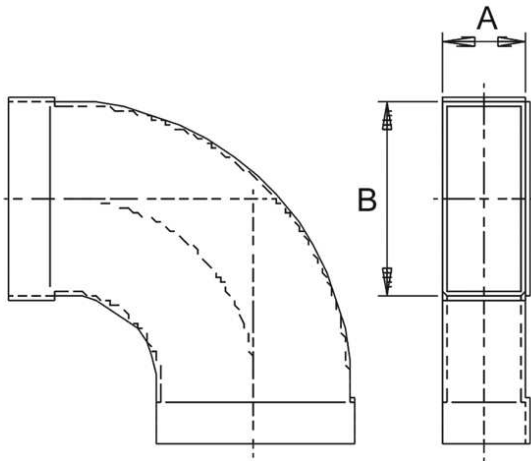


KB90LH/80/200



Short description

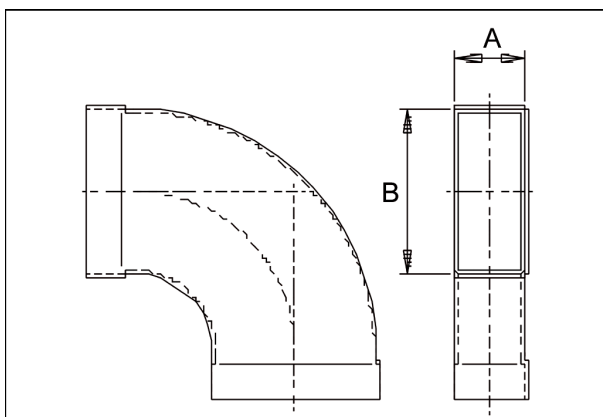
Channel elbow 80/200, 90°, long, horizontal

Article number 0055.0575

Technical data

Material	Sheet steel, Sendzimir galvanised
Weight including packaging	0 kg
Channel dimension	200 mm x x 80 mm
Width with packaging	0 mm
Height with packaging	0 mm
Depth with packaging	0 mm
Packing unit	1 piece
Range	K
GTIN (EAN)	4012799555759

Dimensioned drawing [mm]



A	B
80	200