

# KFD 6030-A



## Short description

Sound-insulated Flatbox for exhaust air with diagonal fan and shutter with servomotor, channel size 600 mm x 300 mm

Article number 0080.0957

## Technical data

Air flow volume	2.370 m <sup>3</sup> /h
Rotating speed	2.810 1/min
Air direction	Air extraction
Speed controllable	✓
Rated voltage	230 V
Nominal output	290 W
I <sub>nom</sub>	1,3 A
I <sub>max</sub>	1,7 A
Degree of protection	IP 43
Operator unit degree of protection	IP 00
Weight	50 kg
Weight including packaging	50,53 kg
Filter class	ePM1 50% (F7)
Channel dimension	600 mm x 300 mm
Width with packaging	772 mm
Height with packaging	382 mm
Depth with packaging	737 mm
Airstream temperature at nominal current	55 °C
Airstream temperature at I <sub>Max</sub>	55 °C
Packing unit	1 piece
Range	K
GTIN (EAN)	4012799809579

## Sound power level in octave range

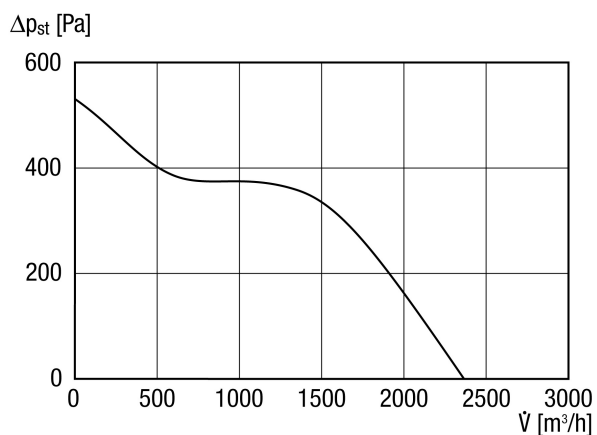
	63 Hz	125 Hz	250 Hz	500 Hz	1 kHz	2 kHz	4 kHz	8 kHz	Total
L <sub>WA2, high</sub> (dB(A))	–	45	53	48	50	45	44	40	57

# KFD 6030-A

	63 Hz	125 Hz	250 Hz	500 Hz	1 kHz	2 kHz	4 kHz	8 kHz	Total
<b>L<sub>WA5</sub>, high (dB(A))</b>	–	70	79	76	76	73	73	66	83
<b>L<sub>WA6</sub>, high (dB(A))</b>	–	55	71	75	77	74	68	60	81

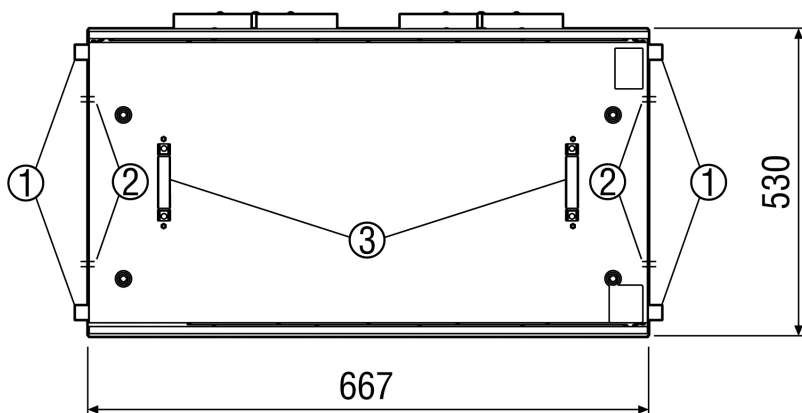
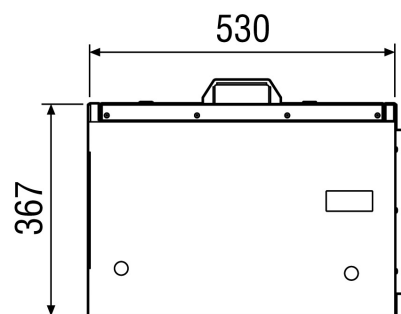
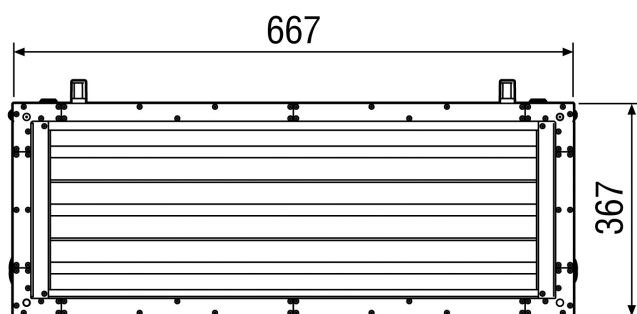
L<sub>WA2</sub>= housing sound power level in dB.  
 L<sub>WA5</sub>= free inlet sound power level in dB.  
 L<sub>WA6</sub>= free outlet sound power level in dB.

## Characteristic curve



# KFD 6030-A

Dimensioned drawing [mm]



- ① Mounting bracket (variable position)
- ② Cable entry
- ③ Mounting handle which can be unscrewed