

KFR 6030-A



Short description

Sound-insulated Flatbox for exhaust air with centrifugal fan and shutter with servomotor, channel size 600 mm x 300 mm

Application examples

Commercial premises, Workplace, Showroom, Production facility, Industrial building

Article number 0080.0956

Technical data

Air flow volume	3.220 m ³ /h (Required Delta p _{fs} min = 300 Pa)
Rotating speed	2.100 1/min
Air direction	Air extraction
Speed controllable	✓
Rated voltage	230 V
Frequency	50 Hz
Nominal output	1.440 W
I _{nom}	6,3 A
I _{max}	6,6 A
Degree of protection	IP 43
Operator unit degree of protection	IP 00
Installation site	Channel
Housing material	Sheet steel, galvanised
Weight	41,5 kg
Weight including packaging	42,7 kg
Filter class	ePM1 50% (F7)
Channel dimension	600 mm x 300 mm
Width	530 mm
Height	367 mm
Depth	667 mm
Width with packaging	545 mm
Height with packaging	615 mm
Depth with packaging	910 mm
Airstream temperature at nominal current	45 °C
Airstream temperature at I _{Max}	45 °C
Packing unit	1 piece
Range	K
GTIN (EAN)	4012799809562

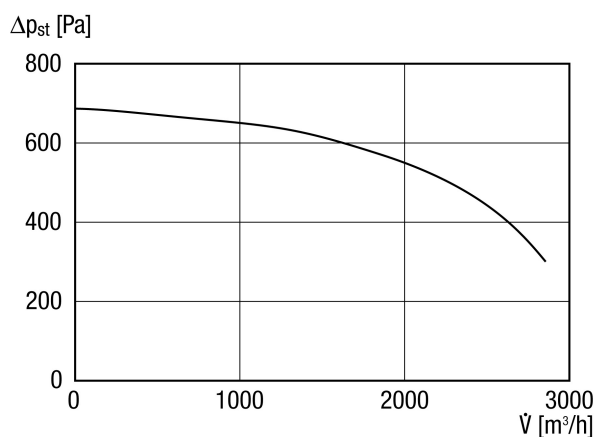
KFR 6030-A

Sound power level in octave range

	63 Hz	125 Hz	250 Hz	500 Hz	1 kHz	2 kHz	4 kHz	8 kHz	Total
L_{WA2}, high (dB(A))	–	60	57	49	45	51	54	53	61
L_{WA5}, high (dB(A))	–	61	67	69	71	74	72	69	79
L_{WA6}, high (dB(A))	–	65	68	65	57	56	60	63	73

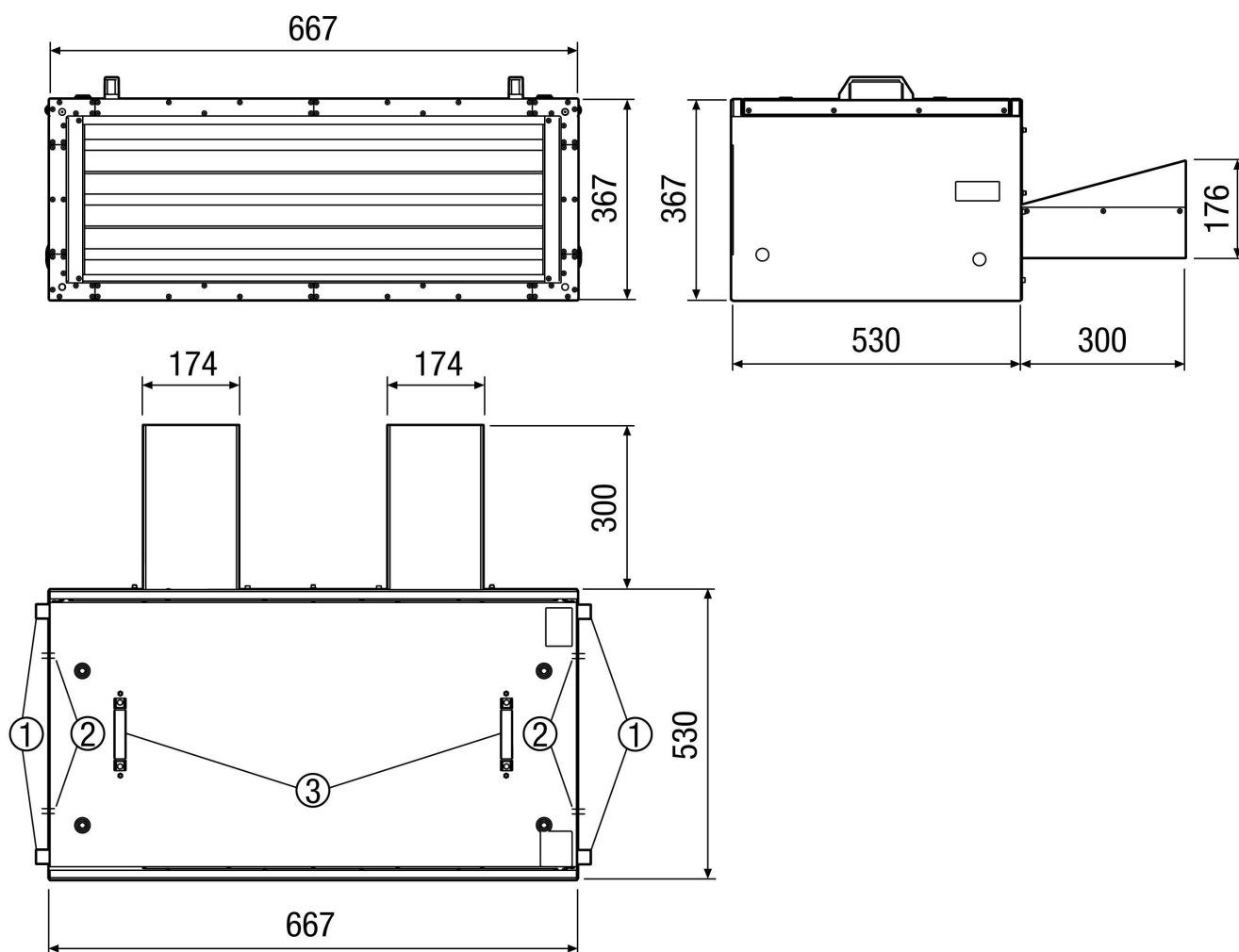
L_{WA2}= housing sound power level in dB.
 L_{WA5}= free inlet sound power level in dB.
 L_{WA6}= free outlet sound power level in dB.

Characteristic curve



KFR 6030-A

Dimensioned drawing [mm]



- ① Mounting bracket (variable position)
- ② Cable entry
- ③ Mounting handle which can be unscrewed