

KFR 6030-F



Short description

Sound-insulated Flatbox for supply air with centrifugal fan, shutter, F5 air filter, F7 air filter and water/air heater, channel size 600 mm x 300 mm

Article number 0080.0880

Technical data

Air flow volume	2.500 m ³ /h (Required Delta p _{rs} min = 300 Pa)
Rotating speed	2.670 1/min
Air direction	Ventilation
Speed controllable	✓
Rated voltage	230 V
Nominal output	1.150 W
I _{max}	5,4 A
Degree of protection	IP 43
Operator unit degree of protection	IP 00
Weight	77 kg
Weight including packaging	77,96 kg
Filter class	F5/F7
Channel dimension	600 mm x 300 mm
Width with packaging	1.032 mm
Height with packaging	552 mm
Depth with packaging	742 mm
Airstream temperature at I _{Max}	60 °C
Packing unit	1 piece
Range	K
GTIN (EAN)	4012799808800

Sound power level in octave range

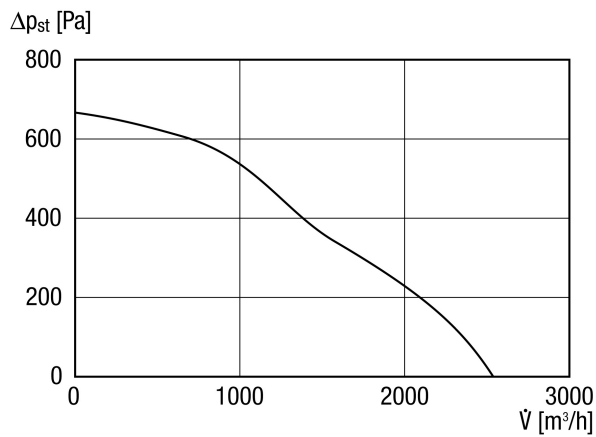
	63 Hz	125 Hz	250 Hz	500 Hz	1 kHz	2 kHz	4 kHz	8 kHz	Total
L _{WA2, high} (dB(A))	–	55	53	48	44	45	44	38	58
L _{WA5, high} (dB(A))	–	58	63	65	66	65	59	49	72

KFR 6030-F

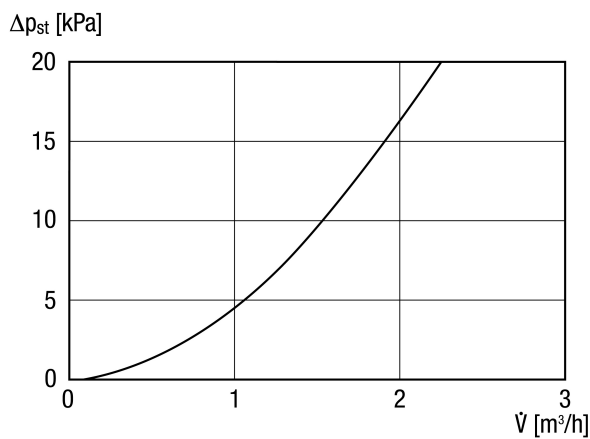
	63 Hz	125 Hz	250 Hz	500 Hz	1 kHz	2 kHz	4 kHz	8 kHz	Total
$L_{WA6, high}$ (dB(A))	–	62	66	65	56	53	58	61	71

L_{WA2} = housing sound power level in dB.
 L_{WA5} = free inlet sound power level in dB.
 L_{WA6} = free outlet sound power level in dB.

Characteristic curve

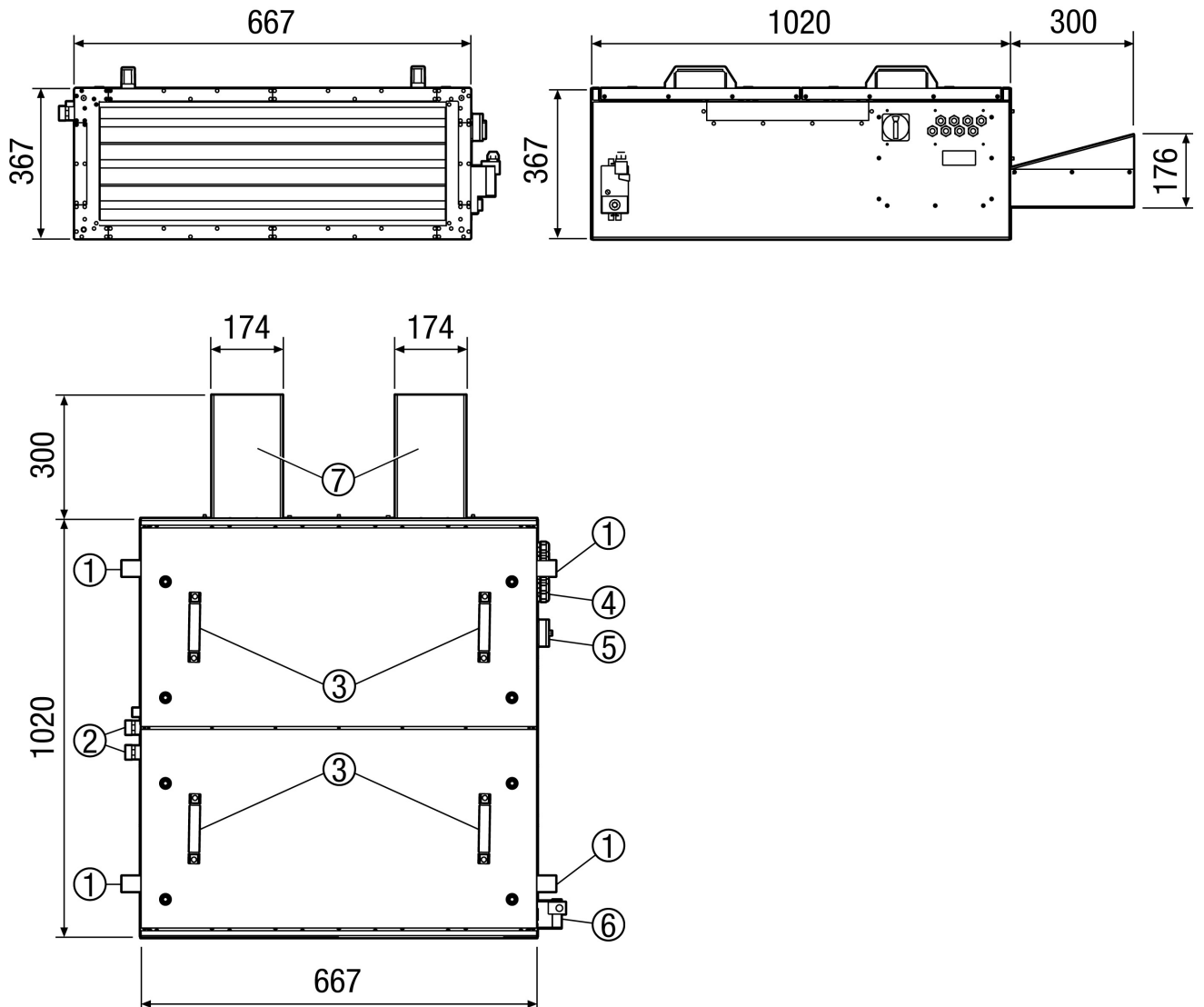


Characteristic curve Water pressure losses in the heat register



KFR 6030-F

Dimensioned drawing [mm]



- ① Mounting bracket (variable position)
- ② Warm water connection for water-air heater 3/4" AG (connection also possible on opposite side)
- ③ Mounting handle
- ④ Electrical connections
- ⑤ Terminal box for fan
- ⑥ Servomotor shutter
- ⑦ Diffuser