

KFR 6030-K



Short description

Sound-insulated Flatbox for supply air with centrifugal fan, shutter, air filter, water-air heater and cooling register, channel size 600 mm x 300 mm

Application examples

Commercial premises, Workplace, Showroom, Production facility, Industrial building

Article number 0080.0966

Technical data

Air flow volume	2.570 m ³ /h (Required Delta p _{rs} min = 300 Pa)
Rotating speed	2.670 1/min
Air direction	Ventilation
Speed controllable	✓
Cooling register design	Cold water register
Rated voltage	230 V
Frequency	50 Hz
Nominal output	1.100 W
I _{max}	5,2 A
Degree of protection	IP 43
Operator unit degree of protection	IP 00
Installation site	Channel
Housing material	Sheet steel, galvanised
Weight	88 kg
Weight including packaging	105 kg
Filter class	F5
Channel dimension	600 mm x 300 mm
Width	530 mm
Height	367 mm
Depth	667 mm
Width with packaging	1.200 mm
Height with packaging	765 mm
Depth with packaging	800 mm
Airstream temperature at nominal current	60 °C
Airstream temperature at I _{Max}	60 °C
Packing unit	1 piece
Range	K
GTIN (EAN)	4012799809661

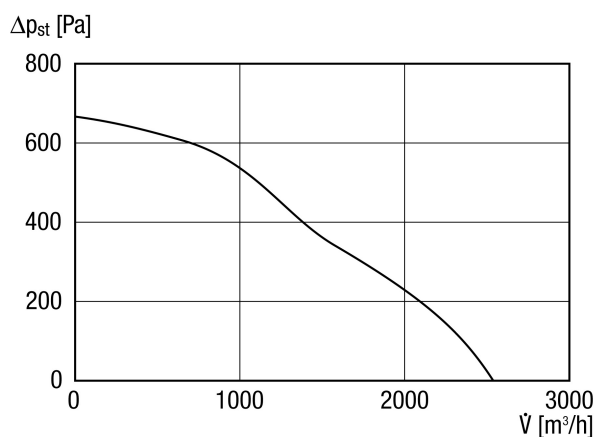
KFR 6030-K

Sound power level in octave range

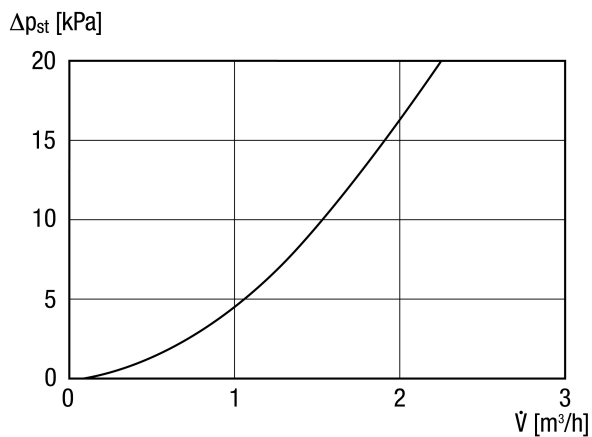
	63 Hz	125 Hz	250 Hz	500 Hz	1 kHz	2 kHz	4 kHz	8 kHz	Total
L_{WA2}, high (dB(A))	–	55	53	48	44	45	44	38	58
L_{WA5}, high (dB(A))	–	58	63	65	66	65	59	49	72
L_{WA6}, high (dB(A))	–	62	66	65	56	53	58	61	71

L_{WA2}= housing sound power level in dB.
 L_{WA5}= free inlet sound power level in dB.
 L_{WA6}= free outlet sound power level in dB.

Characteristic curve

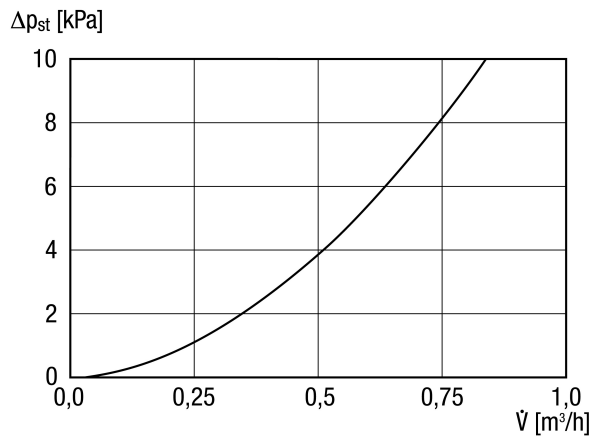


Characteristic curve Water pressure losses in the heat register



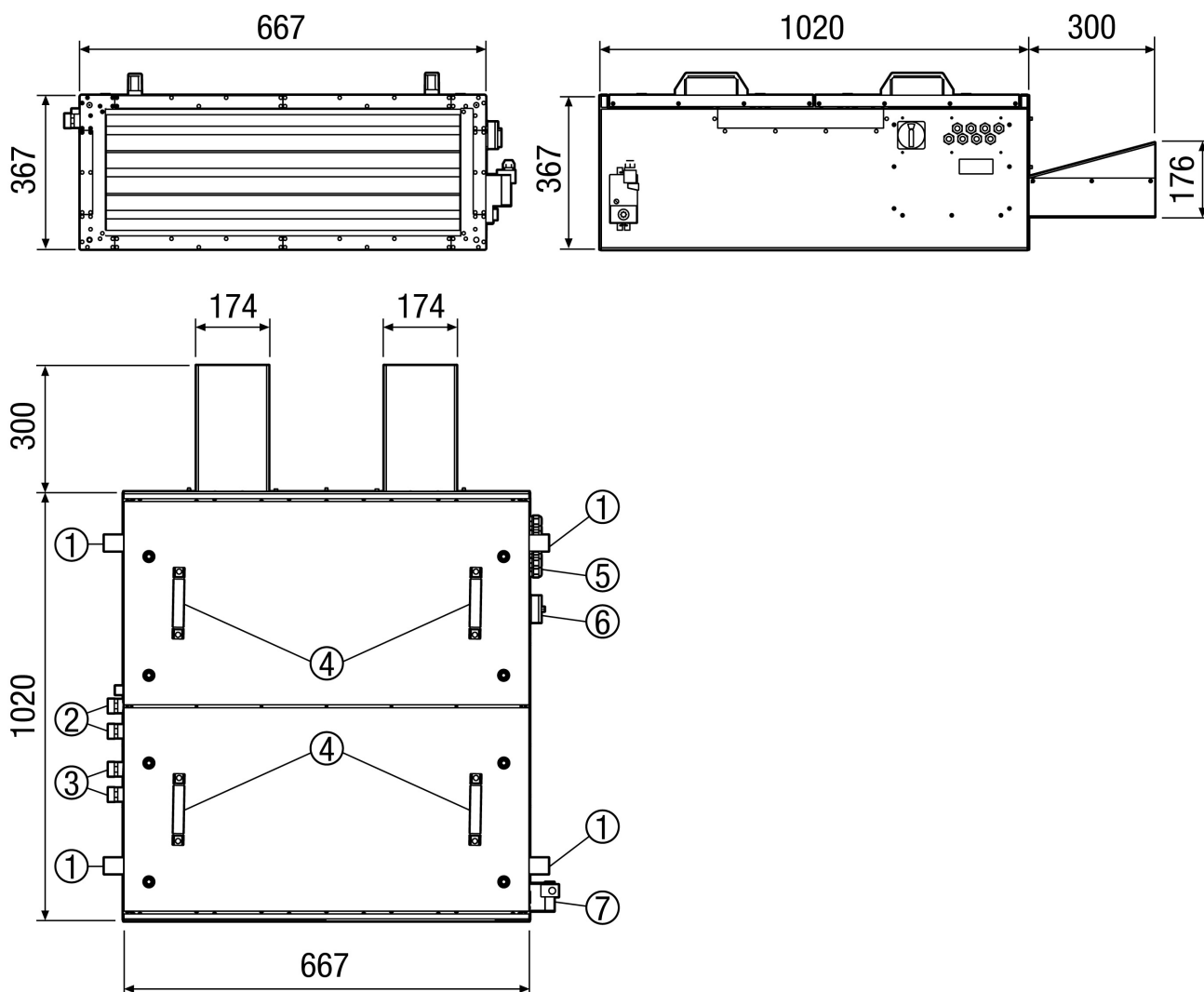
KFR 6030-K

Characteristic curve Cooling register water pressure losses



KFR 6030-K

Dimensioned drawing [mm]



- ① Mounting bracket (variable position)
- ② Warm water connection for water-air heater 3/4" AG (connection also possible on opposite side)
- ③ Cooling register connection
- ④ Mounting handle
- ⑤ Electrical connections
- ⑥ Terminal box for fan
- ⑦ Servomotor shutter