

KFR 9030-K



Short description

Sound-insulated Flatbox for supply air with centrifugal fan, shutter, air filter, water-air heater and cooling register, channel size 900 mm x 300 mm

Article number 0080.0967

Technical data

Air flow volume	3.550 m ³ /h (Required Delta p _{fs} min = 300 Pa)
Rotating speed	2.700 1/min
Air direction	Ventilation
Speed controllable	✓
Cooling register design	Cold water register
Rated voltage	230 V
Nominal output	1.620 W
I _{max}	8,3 A
Degree of protection	IP 43
Operator unit degree of protection	IP 00
Weight	123 kg
Weight including packaging	130,68 kg
Filter class	F5
Channel dimension	900 mm x 300 mm
Width with packaging	1.200 mm
Height with packaging	820 mm
Depth with packaging	1.200 mm
Airstream temperature at nominal current	45 °C
Airstream temperature at I _{Max}	45 °C
Packing unit	1 piece
Range	K
GTIN (EAN)	4012799809678

Sound power level in octave range

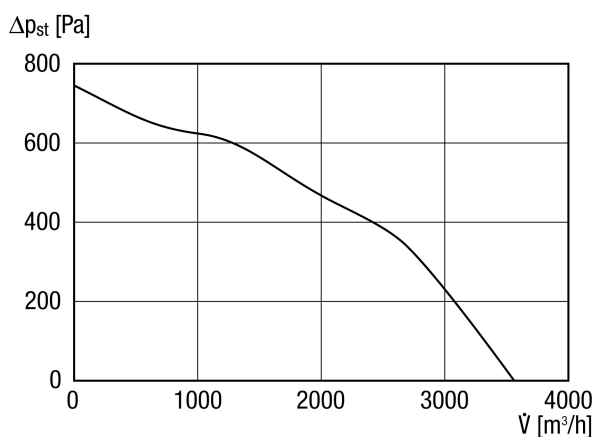
	63 Hz	125 Hz	250 Hz	500 Hz	1 kHz	2 kHz	4 kHz	8 kHz	Total
L _{WA2, high} (dB(A))	–	51	53	44	45	45	45	41	57

KFR 9030-K

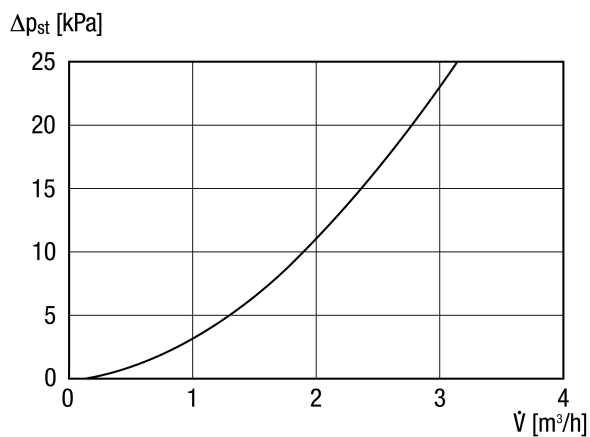
	63 Hz	125 Hz	250 Hz	500 Hz	1 kHz	2 kHz	4 kHz	8 kHz	Total
L_{WA5} , high (dB(A))	–	58	64	68	67	68	62	51	74
L_{WA6} , high (dB(A))	–	61	67	66	57	55	62	64	72

L_{WA2} = housing sound power level in dB.
 L_{WA5} = free inlet sound power level in dB.
 L_{WA6} = free outlet sound power level in dB.

Characteristic curve

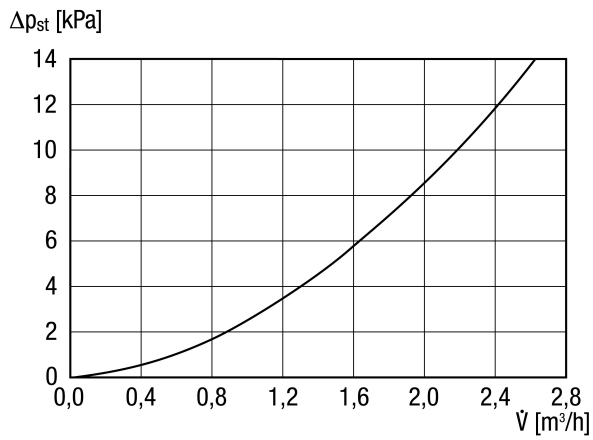


Characteristic curve Water pressure losses in the heat register



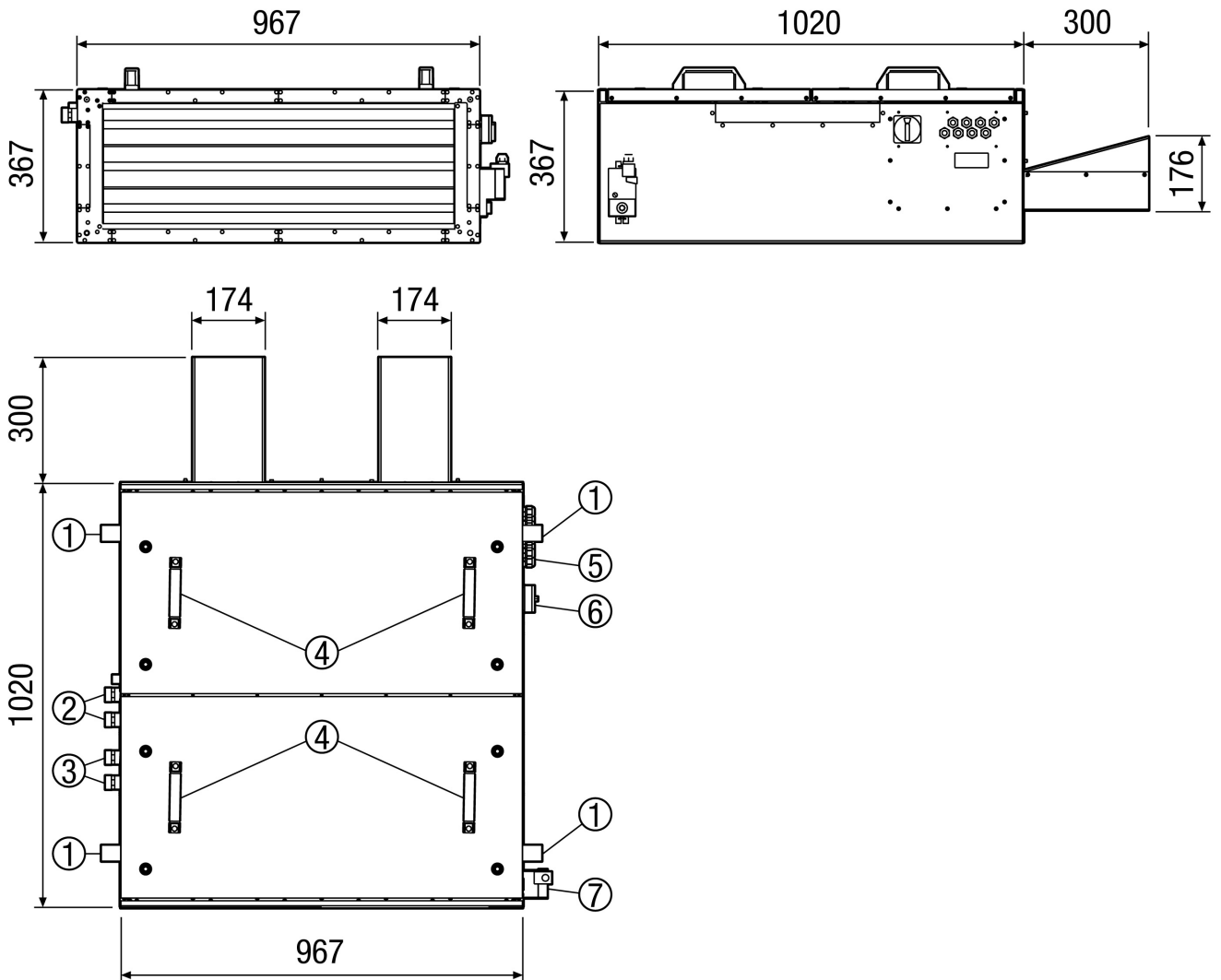
KFR 9030-K

Characteristic curve Cooling register water pressure losses



KFR 9030-K

Dimensioned drawing [mm]



- ① Mounting bracket (variable position)
- ② Warm water connection for water-air heater 3/4" AG (connection also possible on opposite side)
- ③ Cooling register connection
- ④ Mounting handle
- ⑤ Electrical connections
- ⑥ Terminal box for fan
- ⑦ Servomotor shutter