

# KFR 9030



## Short description

Sound-insulated Flatbox for supply air with centrifugal fan, shutter, air filter and water-air heater, channel size 900 mm x 300 mm

Article number 0080.0963

## Technical data

|   |   |
|---|---|
| Air flow volume                           | 3.920 m <sup>3</sup> /h (Required Delta p <sub>rs</sub> min = 300 Pa) |
| Rotating speed                            | 2.600 1/min   |
| Air direction                             | Ventilation   |
| Speed controllable                        | ✓   |
| Rated voltage                             | 230 V   |
| Nominal output                            | 1.790 W   |
| I <sub>max</sub>                          | 8,5 A   |
| Degree of protection                      | IP 43   |
| Operator unit degree of protection        | IP 00   |
| Weight                                    | 81,5 kg   |
| Weight including packaging                | 82,7 kg   |
| Filter class                              | F5  |
| Channel dimension                         | 900 mm x 300 mm   |
| Width with packaging                      | 1.040 mm  |
| Height with packaging                     | 620 mm  |
| Depth with packaging                      | 752 mm  |
| Airstream temperature at nominal current  | 45 °C   |
| Airstream temperature at I <sub>Max</sub> | 45 °C   |
| Packing unit                              | 1 piece   |
| Range                                     | K   |
| GTIN (EAN)                                | 4012799809630   |

## Sound power level in octave range

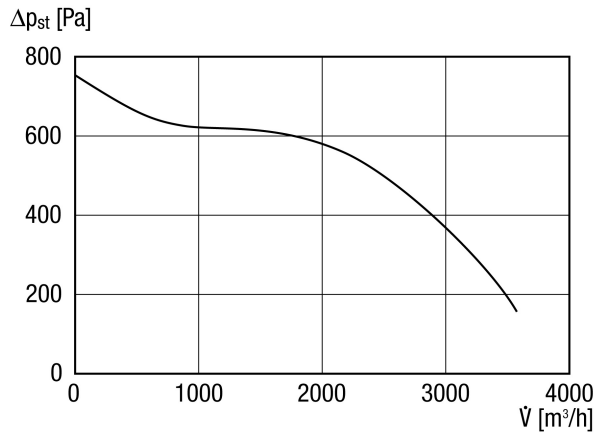
|                                   | 63 Hz | 125 Hz | 250 Hz | 500 Hz | 1 kHz | 2 kHz | 4 kHz | 8 kHz | Total |
|-----------------------------------|-------|--------|--------|--------|-------|-------|-------|-------|-------|
| L <sub>WA2, high</sub><br>(dB(A)) | –     | 52     | 54     | 45     | 46    | 46    | 47    | 45    | 57    |
| L <sub>WA5, high</sub><br>(dB(A)) | –     | 58     | 66     | 69     | 67    | 70    | 66    | 59    | 75    |

# KFR 9030

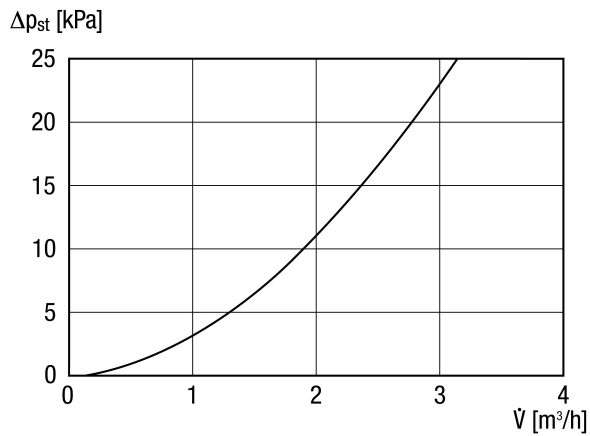
|  | 63 Hz | 125 Hz | 250 Hz | 500 Hz | 1 kHz | 2 kHz | 4 kHz | 8 kHz | Total |
|--|-------|--------|--------|--------|-------|-------|-------|-------|-------|
| <b>L<sub>WA6, high</sub></b><br><b>(dB(A))</b> | –     | 62     | 70     | 67     | 59    | 57    | 62    | 65    | 73    |

L<sub>WA2</sub>= housing sound power level in dB.  
 L<sub>WA5</sub>= free inlet sound power level in dB.  
 L<sub>WA6</sub>= free outlet sound power level in dB.

## Characteristic curve

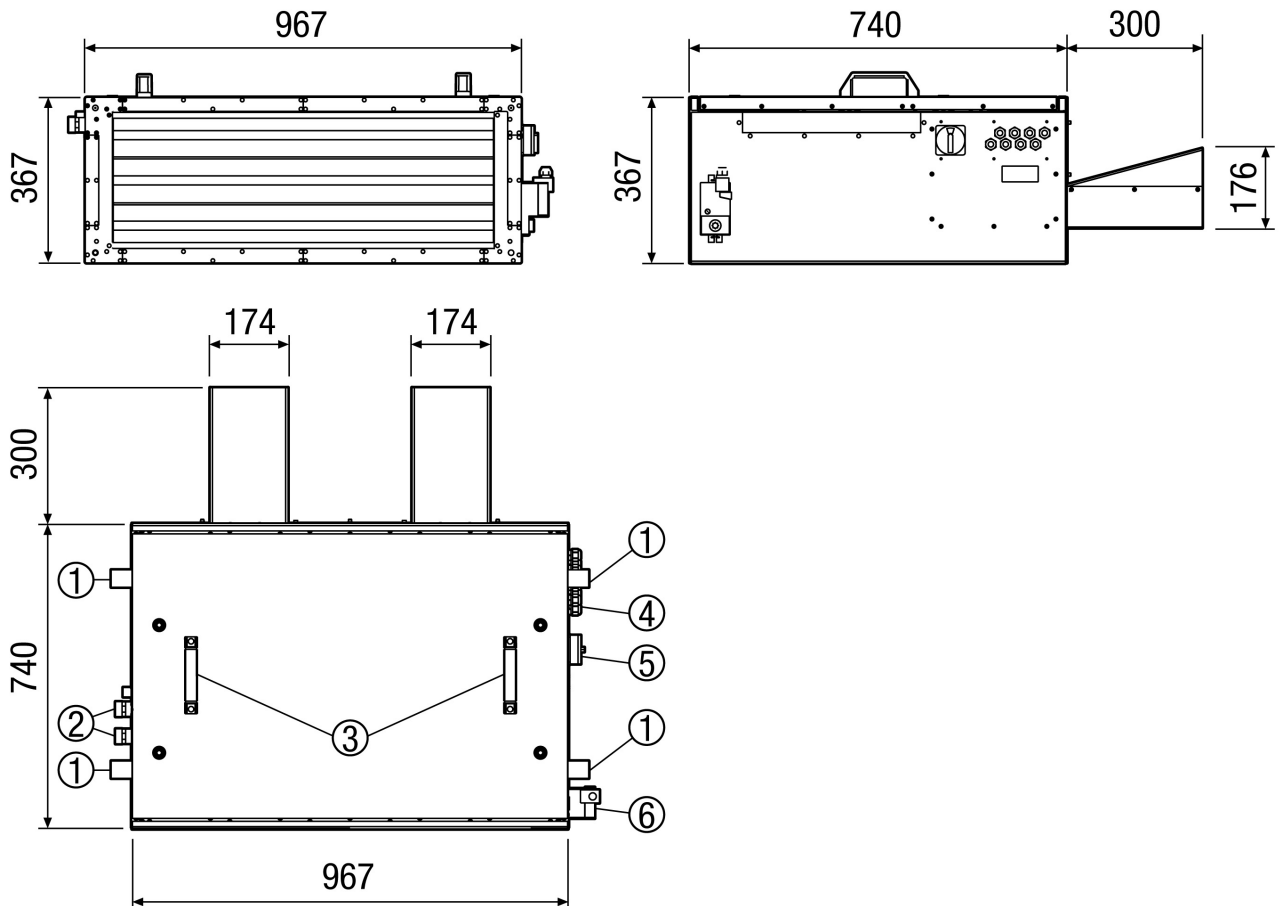


## Characteristic curve Water pressure losses in the heat register



# KFR 9030

Dimensioned drawing [mm]



- ① Mounting bracket (variable position)
- ② Warm water connection for water-air heater 3/4" AG (connection also possible on opposite side)
- ③ Mounting handle
- ④ Electrical connections
- ⑤ Terminal box for fan
- ⑥ Servomotor shutter