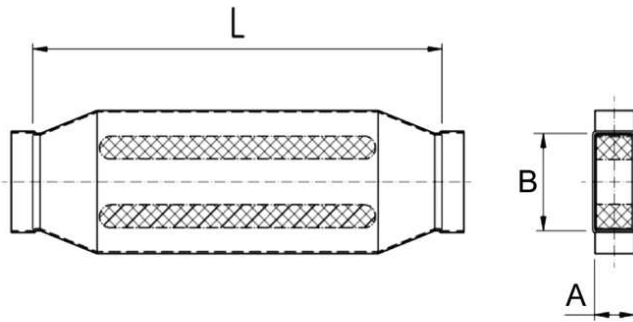


# KSD55/110/700

## Short description

Channel sound absorber 55/110, W = 150

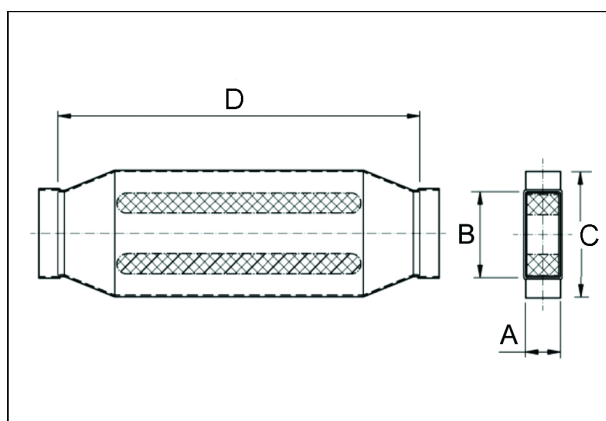


Article number 0092.0452

## Technical data

Housing material	Sheet steel, Sendzimir galvanised
Channel dimension	110 mm x x 55 mm
Width	150 mm
Height	
Depth	
Packing unit	1 piece
Range	K
GTIN (EAN)	4012799990437

## Dimensioned drawing [mm]



A	B	C	D
55	110	150	700