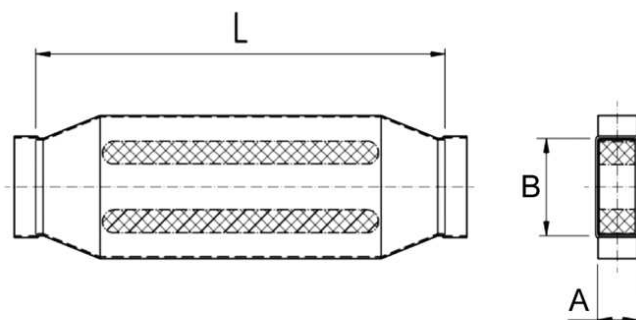


KSD55/220/700

Short description

Channel sound absorber 55/220, W = 360,

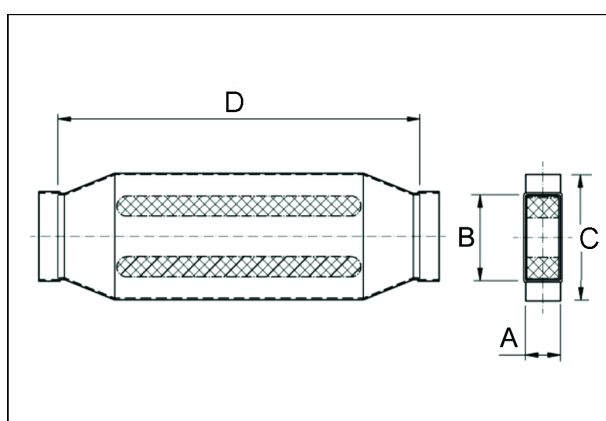


Article number 0092.0453

Technical data

Housing material	Sheet steel, Sendzimir galvanised
Channel dimension	220 mm x x 55 mm
Width	360 mm
Height	
Depth	
Packing unit	1 piece
Range	K
GTIN (EAN)	4012799990482

Dimensioned drawing [mm]



A	B	C	D
55	220	360	700