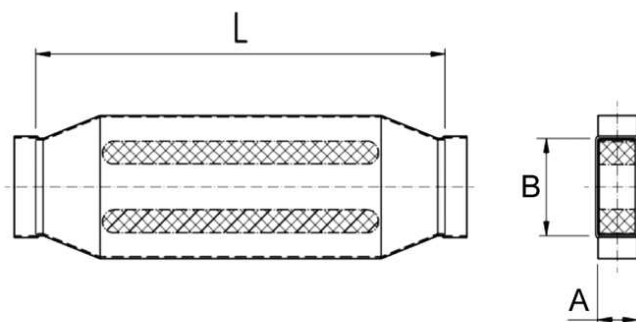


KSD80/150/1200

Short description

Channel sound absorber 80/150, W = 230,

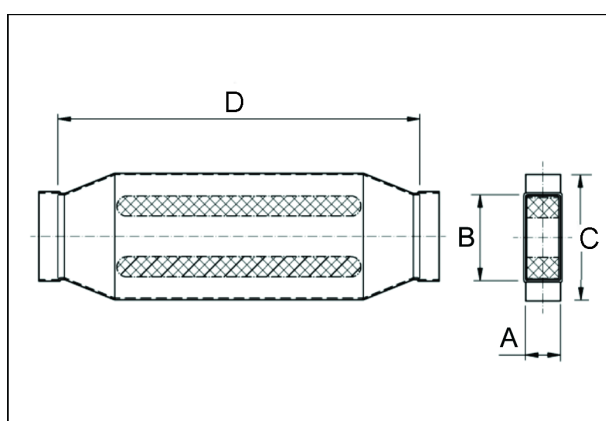


Article number 0092.0461

Technical data

Housing material	Sheet steel, Sendzimir galvanised
Channel dimension	150 mm x x 80 mm
Width	230 mm
Height	
Depth	
Packing unit	1 piece
Range	K
GTIN (EAN)	4012799924616

Dimensioned drawing [mm]



A	B	C	D
80	150	230	1.200