

KSDA55/110/1200



Short description

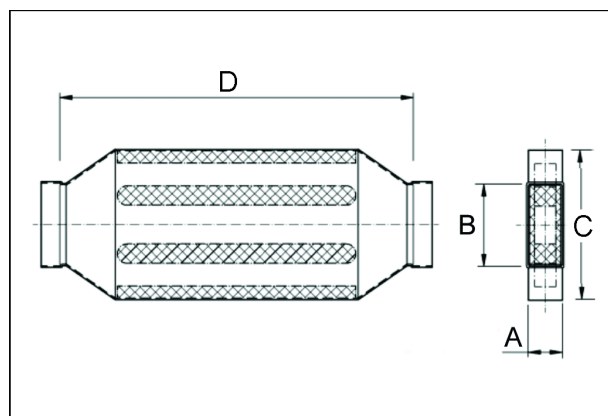
Channel sound absorber 55/110, W = 260,

Article number 0092.0470

Technical data

Housing material	Sheet steel, Sendzimir galvanised
Weight including packaging	0 kg
Channel dimension	110 mm x x 55 mm
Width	260 mm
Height	
Depth	
Width with packaging	0 mm
Height with packaging	0 mm
Depth with packaging	0 mm
Packing unit	1 piece
Range	K
GTIN (EAN)	4012799924708

Dimensioned drawing [mm]



A	B	C	D
55	110	260	1.200